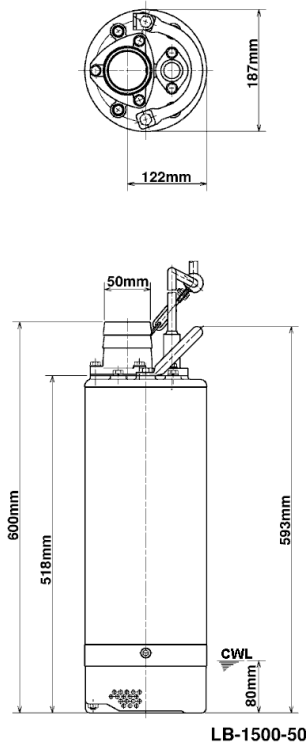
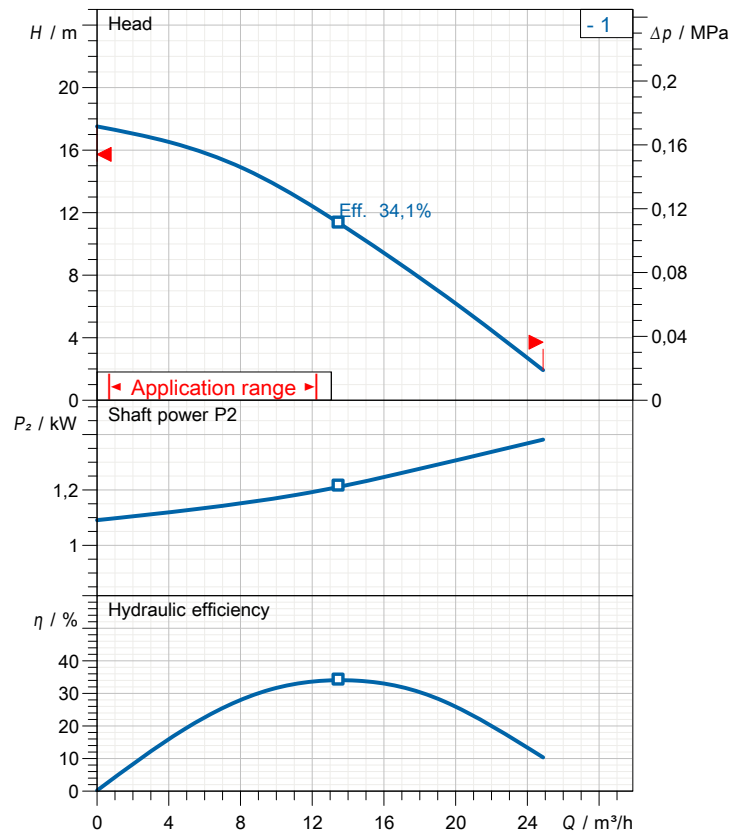


# Data sheet LB-1500-50



CWL: Continuous running water level



## Specification

Elektrische Tauchpumpe LB-Serie

Degree of protection IP 68

Pressure resistance max. 25 m

Type of impeller semi-vortex

Max. solid handling 6 mm

Suitable for:

spring-/rain-/font water, water containing sand

## Electric motor

Dry-type submersible induction motor

Insulation class B 2Poles 2900 1/min

Starting mode

Rated voltage 230 V 50 Hz 1~

Power uptake 2,68 kW

Rated power 1,50 kW

Rated current 15,4 A

Start current

## Cable

10m H07RN-F 3Cx2,5mm<sup>2</sup>

## Motor Protection

Circle thermal protector

(snap-action bi-metal device)

## Shaft seal

Double inside mechanical seal in oil bath  
additional lubrication by oil lifting device

Primary seal

Silicon carbide on silicon carbide

Secondary seal

Silicon carbide on silicon carbide

## Bearings

Shielded ball bearings, maintenance-free

## Materials

Impeller Chromium iron casting

Pump casing BR + Natural Rubber

Motor Frame Aluminium die casting

Shaft SUS403 (EN-X6Cr13)

## Discharge size

2" (50mm) BS-Coupling (threaded flange)

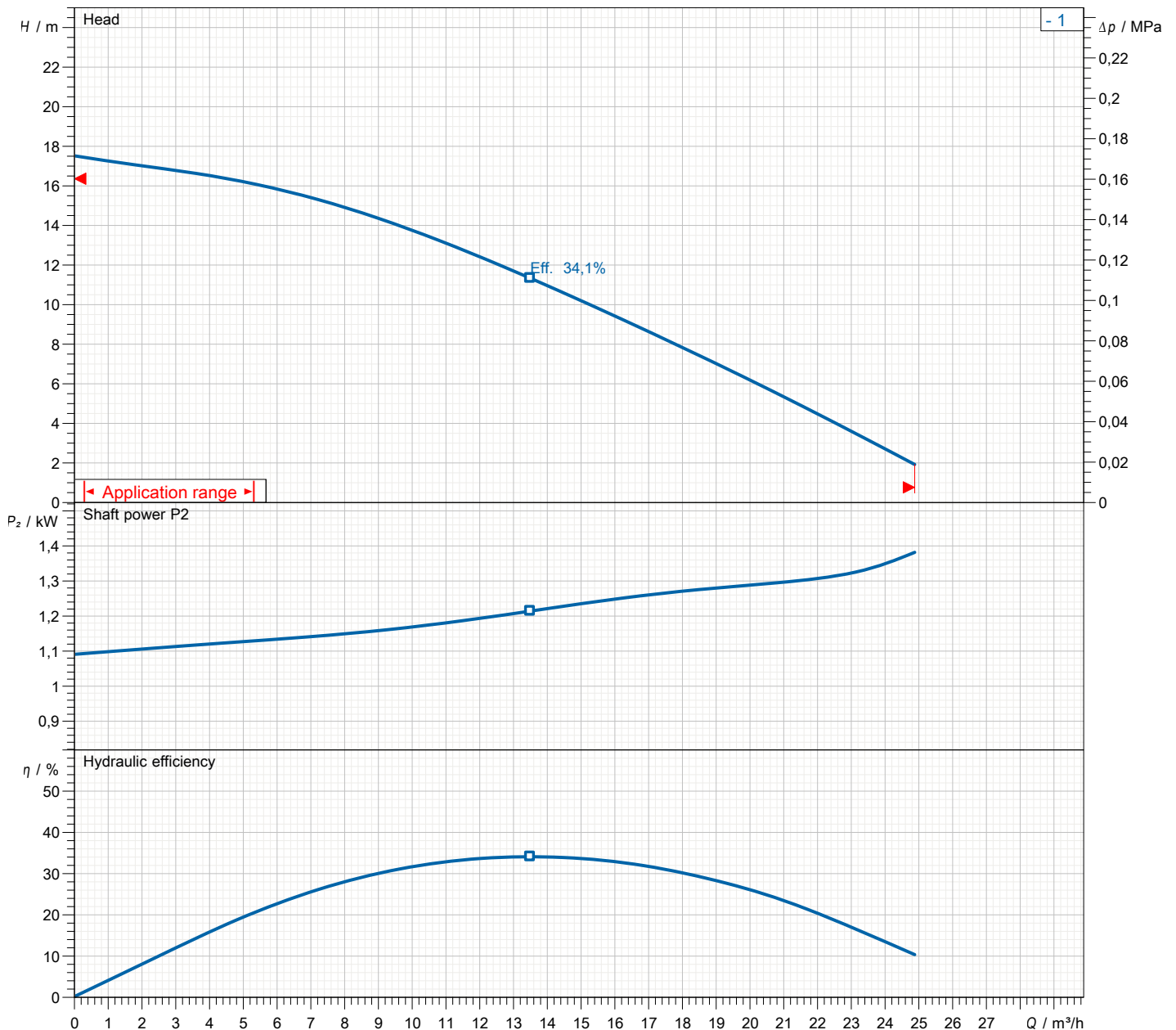
## Weight

33 kg (dry weight of the pump only without cable)

# Performance curve

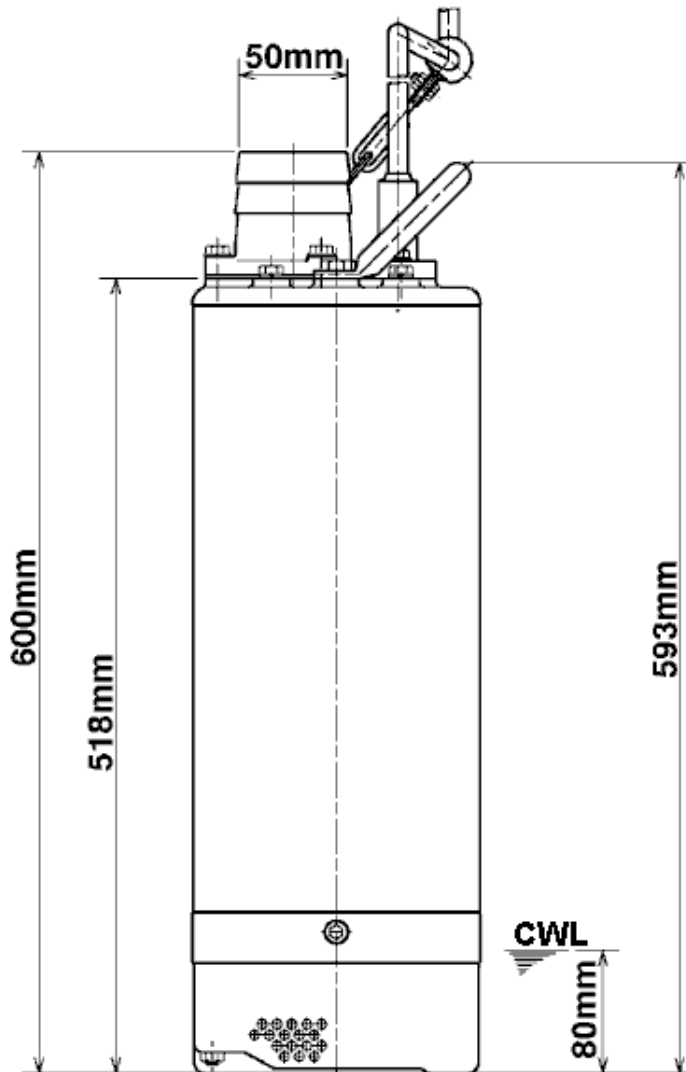
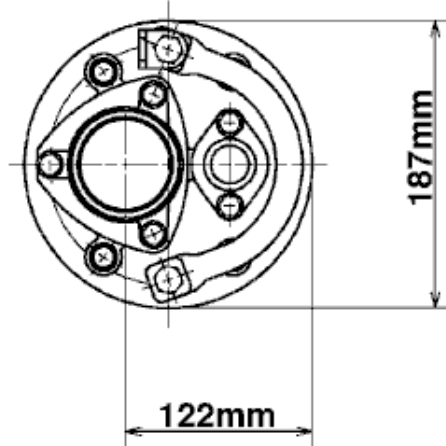
## LB-1500-50

Discharge port	2"
FördH	17,5 m
Flow	24,9 m³/h
Rated power	1,50 kW
Power input	2,68 kW
Phases	1~
Voltages	230 V
Frequency	50 Hz
Rated current	15,4 A
Starting current	
Number of poles	2
Speed	2900 1/min
Starting mode	
Insulation class	B



# Dimensions

## LB-1500-50

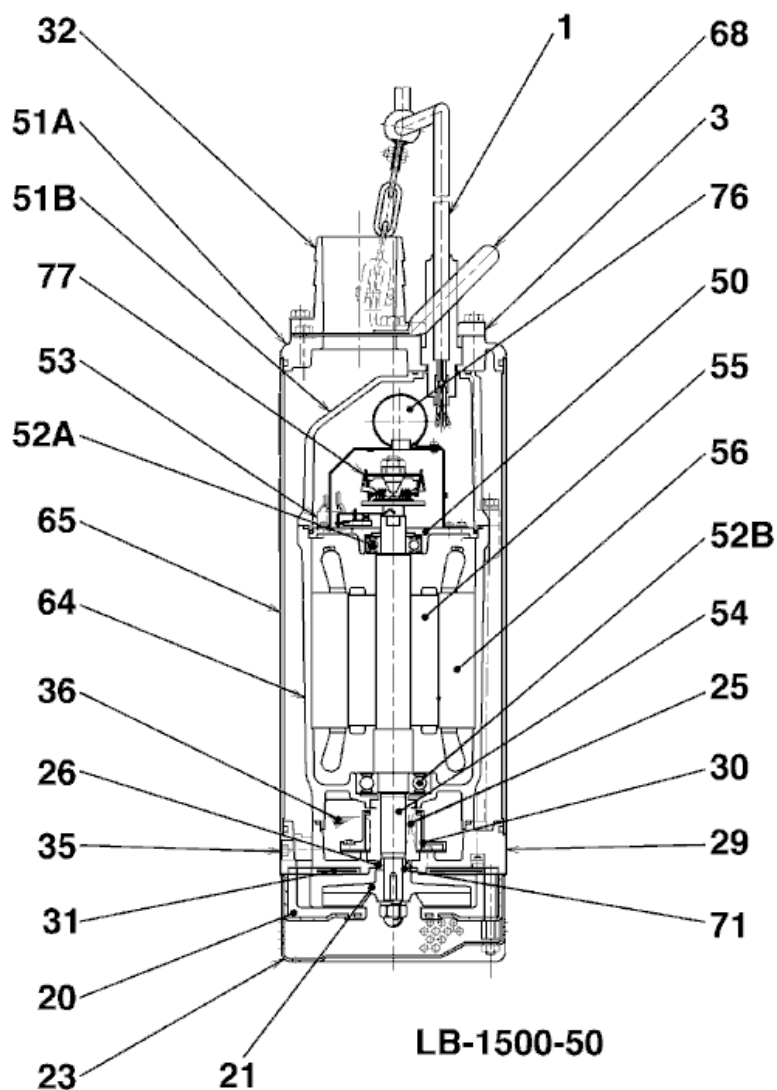


**LB-1500-50**

**CWL:** Continuous running water level  
**LWL:** Lowest running water level

# Sectional drawing

## LB-1500-50



No.	Description	Remark	No.	Description	Remark
1	Cable	H07RN-F	52A	Upper bearing	6204ZZC3
3	Gland	Aluminium die casting	52B	Lower bearing	6305ZZC3
20	Pump casing	BR + Natural Rubber	53	Miniature protector	.
21	Impeller	Chromium iron casting	54	Shaft	SUS403 (EN-X6Cr13)
23	Strainer	Steel plate	55	Rotor	.
25	Mechanical seal	H-20T	56	Stator	.
26	V-ring	Nitrile Rubber	64	Motor Frame	Aluminium die casting
29	Oil casing	Grey iron casting	65	Outer Cover	Steel plate
30	Oil distributor	Plastic	68	Handle	Carbon steel
31	Attrition plate	BR + Natural Rubber	71	Shaft protection sleeve	SUS304 (EN-X5CrNi18-10)
32	Discharge coupling	Aluminium die casting	76	Condenser	.
35	Oil screw	SUS304 (EN-X5CrNi18-10)	77	Centrifugal force switch	.
36	Lubricant	Turbine oil (ISO VG32)			
50	Main cover	Steel plate			
51A	Main cover	Aluminium die casting			
51B	Motor cover	Aluminium die casting			