

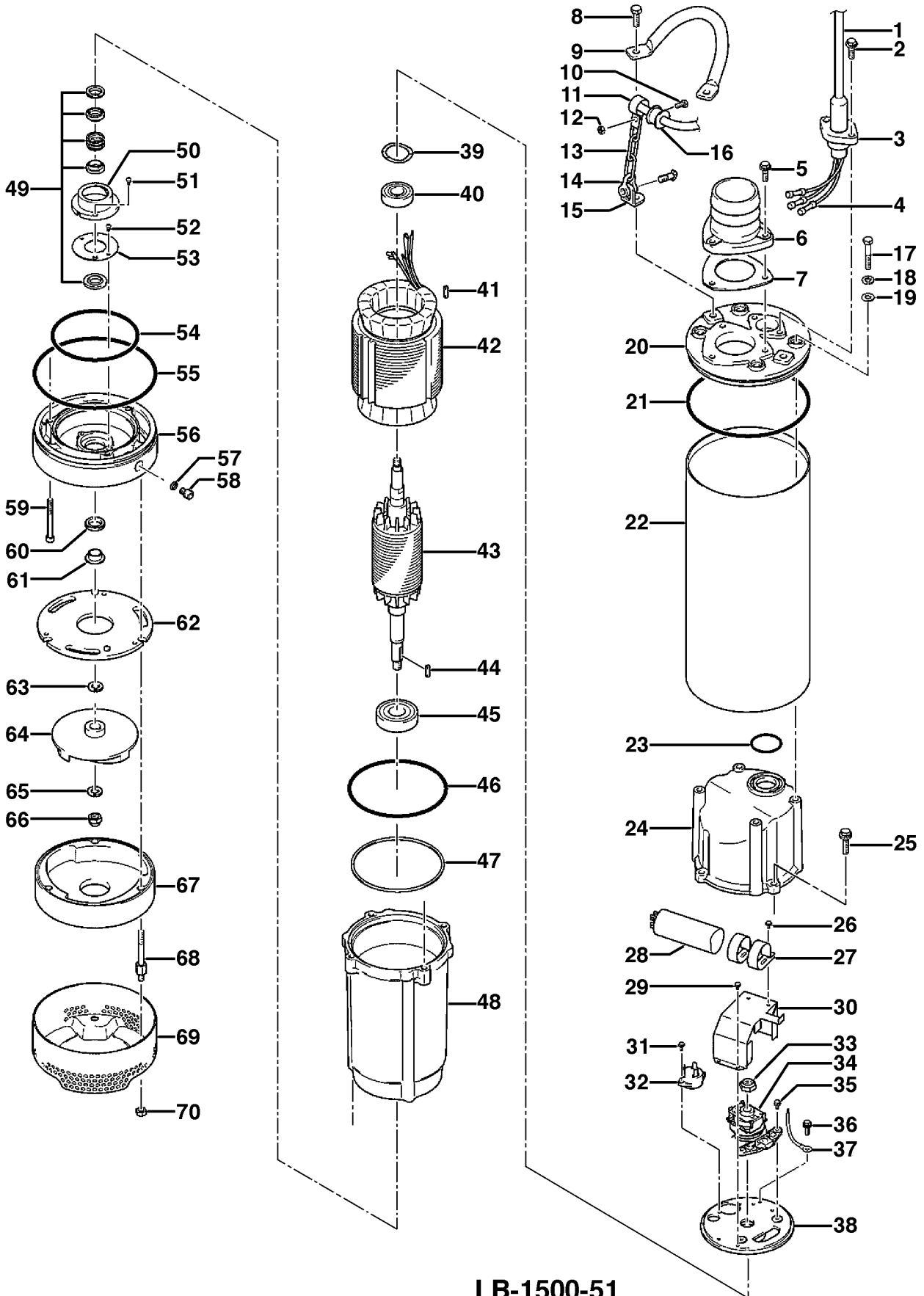
LB-1500-51

Kontroll-Nr. --

2013-10-18 V.15 / 1.10.2012

LB-1500-51			
Item	Item no.	Description	Quant.
1	001-TEG-22	Cabtyre Cable Set (20m) H07RN-F3C2,5mm2 without gland / stuffing box	1
1	M01-TEG-22	Cabtyre Cable Set (20m) NSSHÖU 3Cx2,5mm2	1
2	140-477-12	Hex. Bolt (w/plain washer) M8x30 SUS304	2
3	003-000-22	Gland LB-1500 ADC	1
4	009-276-19	Compression type Terminal 110V-50Hz(GBR) TMNB-5.5(Insulated) CU	3
4	009-275-18	Compression type Terminal TGNB-5.5(Insulated) CU	3
5	140-477-12	Hex. Bolt (w/plain washer) M8x30 SUS304	3
6	032-000-45	Hose Coupling (for EUR)KTV2-15(BSPT-2) FC	1
6	032-000-24	Hose Coupling BSPT-2 FCD	1
7	121-001-09	Packing KT V2-15/22 NBR	1
8	140-075-16	Hex.Bolt M10x25 SUS304	2
9	068-000-25	HandleLB-1500SGP	1
10	140-032-37	Hex.Bolt M6x15 SWRM	1
11	010-120-18	Cable Clip No.2-1 SPC	1
12	141-004-33	Hex.Nut M6 SWRM	1
13	095-131-18	Chain d4(3-Link) SS	1
14	011-110-11	Shackle 6mm SS	1
15	070-117-11	L-Shape Fitting 40x25x4.5t d13Hole SPC	1
16	010-151-11	Cable Clip Rubber 220/230/240V-50Hz(EUR) No.4 NBR	1
17	140-060-18	Hex.Bolt M8x50 SUS304	4
18	142-163-18	Spring Washer MB SUS304	4
19	142-337-15	Seal Washer SM8 SUS+NBR	4
20	051-000-31	PumP Head Cover ADC	1
21	122-172-18	O-Ring V-175(173xd4) NBR	1
22	065-000-38	Outer Cover LB-1500 SPCC	1
23	122-119-17	O-Ring G-40 NBR	1
24	051-000-33	Motor Head Cover ADC	1
25	140-432-15	Hex.Bolt (w/Spring Washer/Plain Washer)M8x30 EN X5CrNi18-10	4
26	143-085-21	Pan Screw (w/Spring Washer) M4x6 SWRM	2
27	127-000-39	Capacitor Fixing Plate SPCC	2
28	076-000-33	Capacitor 600MFD-125VAC(L=100)	1
29	143-086-35	Pan Screw M4x8 BSBM	4
30	078-000-03	Centrifugal Switch Cover LB-1500SECC	1
31	143-087-23	Pan Screw (w/Spring Washer) M4x10 SWRM	2
32	053-219-11	Motor Protector KA143-CCZL402 (H.C)	1
33	141-000-07	Hex.NutM10 EN X5CrNi18-10	1
34	077-115-10	Centrifugal Switch GS-114	1
35	143-135-14	Pan Screw (w/Spring Washer/Plain Washer)M4x10 SWRM	2
36	140-000-44	Hex.Bolt M4x8 SWRM	1
37	009-000-77	Earth Terminal 220/230/240V-50HzAWG14x250L(Yellow/Green)	1
38	050-000-53	Motor Bracket ADC	1
39	142-195-19	Wave Washer #6204/6303 SK-5	1
40	052-187-16	Bearing (w/O-ring) AC-6204ZZC3	1
41	147-000-33	Key5.5x6.5x8 S45C	1
42	056-003-99	Stator 110V-50Hz(GBR)	1
43	055-001-36	Rotorw/Bearing	1
44	147-017-11	Impeller Key 5x5x20l SUS	1
45	052-108-13	Bearing 6305ZZC3	1
46	122-139-13	O-Ring G-140 NBR	1
47	121-001-00	Packing d132xd139x2t NBR	1
48	064-000-83	Motor Frame ADC	1
49	025-243-17	Mechanical Seal H-20T SIC	1
50	030-144-13	Oil Lifter H-20(A)(T) Resin	1
51	143-070-23	Pan Screw M5x6 SWRM	2
52	143-070-10	Pan Screw M5x6 SWRM	2
53	030-155-17	Seal Stopper H-20(KTV2) SPCC	1
54	122-135-19	O-Ring G-120 NBR	1
55	122-172-18	O-Ring V-175(173xd4) NBR	1
56	029-000-69	Oil Casing FC	1
57	121-246-11	Packing d10.3xd16x2t PE	1
58	035-124-12	Air Tightness Test Plug M10x15 SUS304	1
59	140-257-14	Hex. Socket Cap BoltM6x40 EN X5CrNi18-10	3
60	122-443-13	V-Ring VR-20 NBR	1
61	071-297-19	Shaft Sleeve d16xd20x10l SUS304	1
62	031-000-13	Wear RingLB-1500BR+NR	1
63	040-000-09	Impeller Shimd16.2xd26x0.3t EN X5CrNi18-10	1
64	021-007-00	Impeller (50Hz)LB-1500-50 HICRFC	1
64	021-007-01	Impeller (60Hz)LB-1500-60 HICRFC	1
65	142-165-10	Spring Washer M12 SUS304 (EN X5CrNi18-10)	1
66	141-032-14	Hex.Cap Nut M12 SUS304	1
67	020-002-05	Pump Casing LB-1500BR+NR	1
68	144-000-40	Stud BoltM8x88(13/21) EN X6Cr13	3
69	023-000-76	Strainer StandLB-1500 SPC	1
70	141-005-18	Hex.Nut M8 SUS304	1
	173-001-59	Packing & O-Ring Set	1
	##oilVG32	ml Turbine Oil ISO VG32	370

Exploded View LB-1500-51



LB-1500-51