

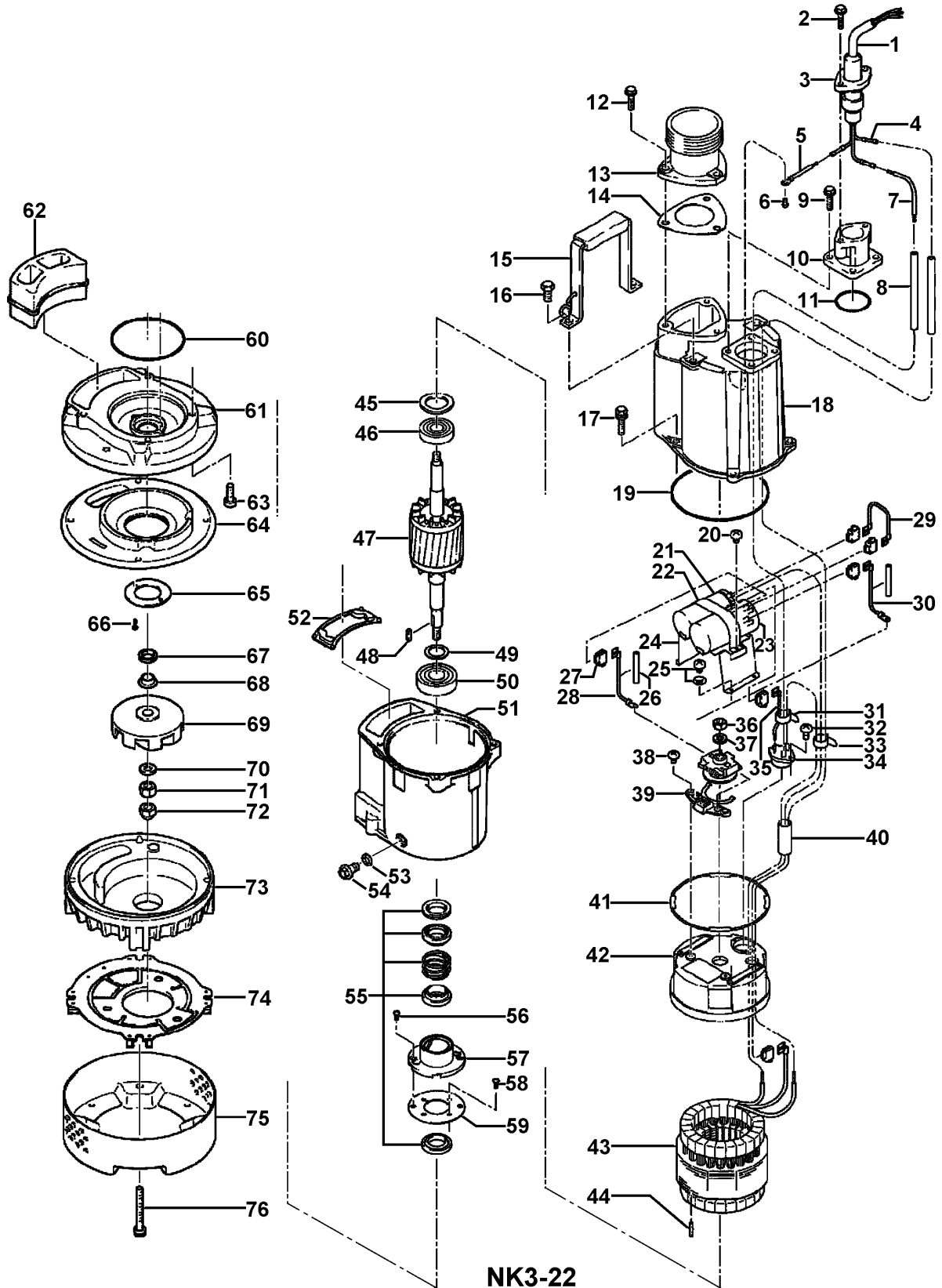
**NK3-22**

Kontroll-Nr. --

2018-07-11 V.19 / 1.10.2016

NK3-22			
Item	Item no.	Description	Quant.
1	001-TEG-22	Cable Set (20m) H07RN-F3C2,5mm2 without gland / stuffing box	1
2	140-477-12	Hex.Bolt (w/Plain Washer) M8x30 SUS304 (EN X5CrNi18-10)	2
3	003-000-22	Gland LB-1500 ADC	1
4	009-276-19	Compression type Terminal 110V-50Hz(GBR) TMNB-5.5(Insulated) CU	4
5	009-001-17	Earth Terminal UL1015-AWG14,G/Y,L=130	1
6	143-000-64	Pan Tapping Screw M4x6 SUS410 (EN X12Cr13) Stainless Steel	1
7	009-202-14	Intermediate Lead Wire AWG-14x250I	1
8	002-000-23	Irrax Tube A d6x80	2
9	140-447-13	Hex.Bolt (w/Plain Washer) M8x25(B=12) EN X5CrNi18-10	4
10	006-000-43	Stuffing Box NK2-22(HAR)	1
11	122-121-12	O-Ring G-50 NBR	1
12	140-477-12	Hex.Bolt (w/Plain Washer) M8x30 SUS304 (EN X5CrNi18-10)	3
13	032-000-74	Screwed Flange 80mm outside thread 80mm(NK2-22L)	1
14	121-001-09	Packing KT V2-15/22 NBR	1
15	068-000-35	Handle (2nd) KT V-15/22 SPC+Rubber	1
16	140-074-15	Hex.Bolt M10x20 SUS304	2
17	140-432-15	Hex.Bolt (w/Spring Washer /Plain Washer) M8x30 EN X5CrNi18-10	4
18	051-000-45	Motor Head Cover ADC	1
19	122-473-12	O-Ring 150xd3.3 NBR	1
20	143-085-34	Pan Screw (w/Spring Washer) M4x6 C3604 (EN CuZn39Pb3)	1
21	076-000-58	Capacitor 220V-50Hz 30MF,400VAC,d45x100.5L (T)	1
22	127-001-01	Capacitor Fixing Plate NK3-22 SECC	1
23	076-142-13	Capacitor 200MFD-250VAC	1
24	078-000-04	Centrifugal Switch Cover NK3-22 SECC	1
25	143-085-34	Pan Screw (w/Spring Washer) M4x6 C3604 (EN CuZn39Pb3)	4
26	002-000-22	Irrax Tube A d6x130	2
27	002-000-24	Insulation Sleeve PF-250	6
28	009-001-67	Intermediate Lead Wire AWG14x220L(#41802)	1
29	009-001-69	Intermediate Lead Wire AWG14x150L(#41802)	1
30	009-001-67	Intermediate Lead Wire AWG14x220L(#41802)	1
31	181-065-10	Cable Tie CV-150 Nylon	1
32	143-136-15	Truss Screw M4x10 SWRM	2
33	181-065-10	Cable Tie CV-150 Nylon	1
34	053-219-11	Motor Protector KA143-CCZL402 (H.C)	1
35	009-001-68	Intermediate Lead Wire AWG14x150L(#41802)	1
36	141-119-16	Hex.Nut M10 (U-nut) SS	1
37	142-128-24	Plain Washer M10 Kaltgewalztes Blech	1
38	143-015-17	Pan Screw M4x10 SWRM	2
39	077-115-10	Centrifugal Switch GS-114	1
40	016-143-18	Lead Wire Protection Bush d18x45I	1
41	121-474-10	Packing NK2-15/22 NBR	1
42	050-416-11	Motor Bracket FC	1
43	056-720-19	Stator 230V/50Hz	1
44	145-031-15	Spring Pin #4x25I SCM	1
45	142-195-19	Wave Washer #6204/6303 SK-5	1
46	052-103-18	Bearing 6204ZZC3	1
47	055-695-11	Rotor w/Bearing	1
48	147-128-16	Impeller Key 5x5x18.5L SUS403 (EN X6Cr13)	1
49	061-161-12	Bearing Collar d25.1xd36x1.6t SPC	1
50	052-108-13	Bearing 6305ZZC3	1
51	064-000-84	Motor Frame ADC	1
52	121-445-12	Packing (Water Way, Upp.) KTV2-15/22 NBR	1
53	121-246-11	Packing (Oil Plug) d10.3xd16x2t PE	1
54	035-125-13	Oil Plug M10x20(B=13) SUS304 (EN X5CrNi18-10) Stainless Steel	1
55	025-243-17	Mechanical Seal H-20T SiC	1
56	143-070-23	Pan Screw M5x6 SWRM	2
57	030-144-13	Oil Lifter H-20(A)(T) Resin	1
58	143-070-10	Pan Screw M5x6 SWRM	2
59	030-155-17	Seal Stopper H-20(KTV2) SPCC	1
60	122-134-18	O-Ring G-115 NBR	1
61	029-000-77	Oil Casing KTV2-15/22 ADC	1
62	121-001-04	Packing (Water Way, Low.)KTV2-15/22 SBR	1
63	140-270-13	Hex.Socket Cap Bolt M8x30 SUS304	4
64	031-000-08	Wear Ring KTV2-15/22 BR+NR	1
65	058-000-25	Protection Plate d44xd70x3t SUS304 (EN X5CrNi18-10) Stainless Steel	1
66	143-166-14	Flat Screw M4x8 SUS304 (EN X5CrNi18-10) Stainless Steel	2
67	122-443-13	V-Ring VR-20 NBR	1
68	071-297-19	Shaft Sleeve d16xd20x10I SUS304	1
69	021-F74-18	Impeller (50Hz) 50Hz FCD	1
70	142-129-25	Plain Washer M12 SPC	1
71	141-007-10	Hex.Nut M12 SUS304	1
72	141-032-14	Hex.Cap Nut M12 SUS304	1
73	020-B19-18	Pump Casing (New) KTV2-15/22 BR+NR	1
74	127-249-12	Fixing Plate (New) KTV2-15/22 SPCC	1
75	023-432-19	Strainer Stand KTV2-15/22 SPCC	1
76	140-479-14	Hex.Bolt (w/Plain Washer) M8x85 EN X5CrNi18-10	4
77	173-003-34	Packing & O-Ring Set	1
78	#oilVG32	ml Turbine Oil ISO VG32	270

# Exploded View NK3-22



NK3-22