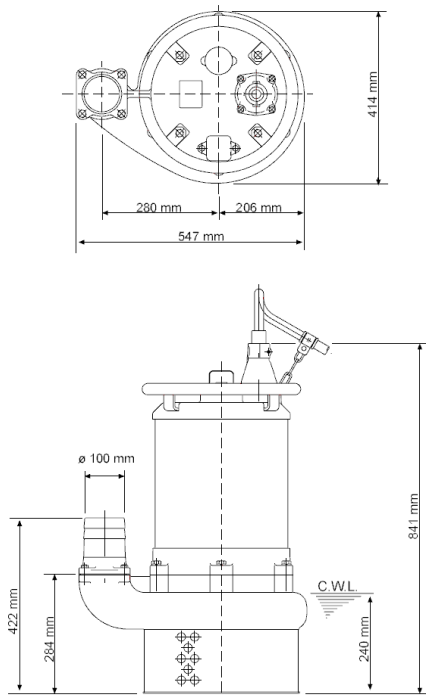
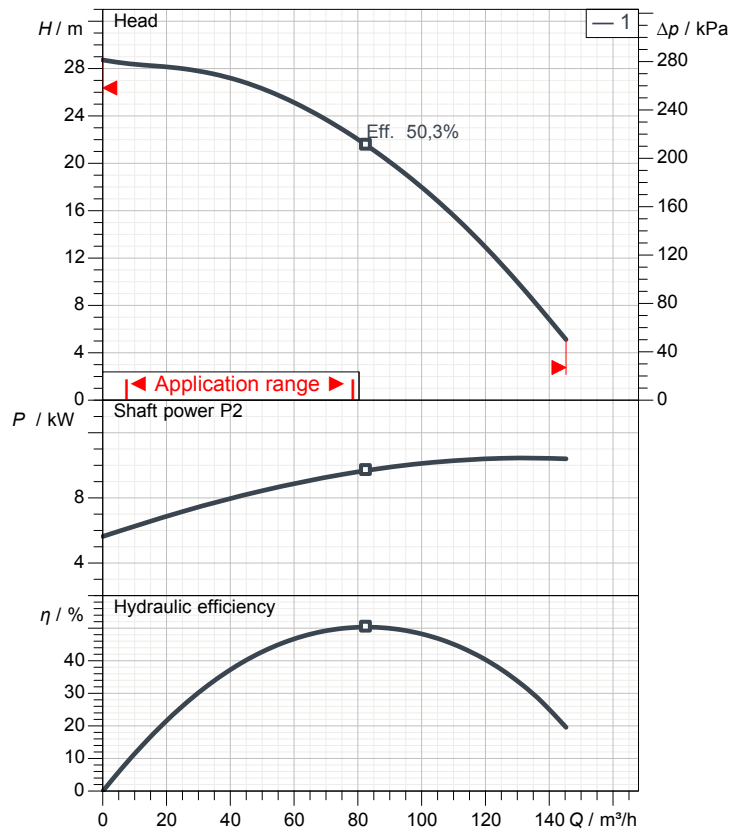


Data sheet NKZ3-100H



NKZ3-100H

CWL: Continuous running water level



Specification

Electric submersible pump NKZ-series
 Degree of protection IP 68
 Pressure resistance max. 15 m
 Type of impeller Open
 Max. solid handling 20 mm
 Suitable for:
 sludge, slurry, liquids containing sand, bentonite

Electric motor

Dry-type submersible induction motor
 Insulation class B 4Poles 1450 1/min
 Starting mode Direct starting
 Rated voltage 400 V 50 Hz 3~
 Power uptake 13,21 kW
 Rated power 11,00 kW
 Rated current 22 A
 Start current 155,1 A

Cable

20m NSSHÖU 4Cx4mm²

Motor Protection

Circle thermal protector
 (snap-action bi-metal device)

Shaft seal

Double inside mechanical seal in oil bath
 additional lubrication by oil lifting device
 Primary seal
 Silicon carbide on silicon carbide
 Secondary seal
 Silicon carbide on silicon carbide

Bearings

Shielded ball bearings, maintenance-free

Materials

Impeller	Chromium iron casting
Agitator	FCD700 (EN-GJS-700-2)
Pump casing	FC200 (EN-GJL-200)
Suction cover	FCD700 (EN-GJS-700-2)
Motor Frame	FC150 (EN-GJL-150)
Shaft	DIN 1.4028 (EN-X30Cr13)

Discharge size

4" (100mm) hose coupling

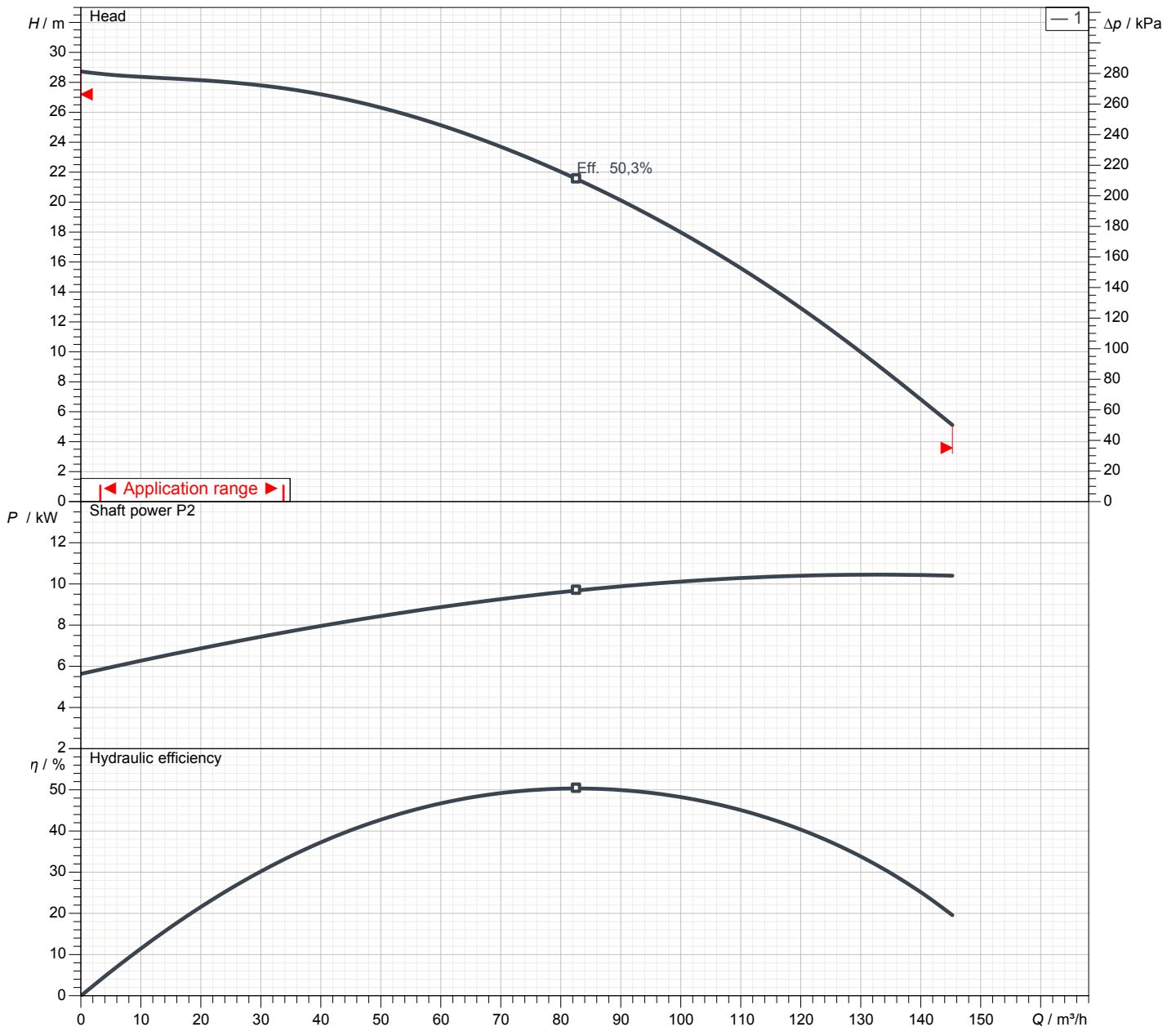
Weight

196 kg (dry weight of the pump only without cable)

Performance curve

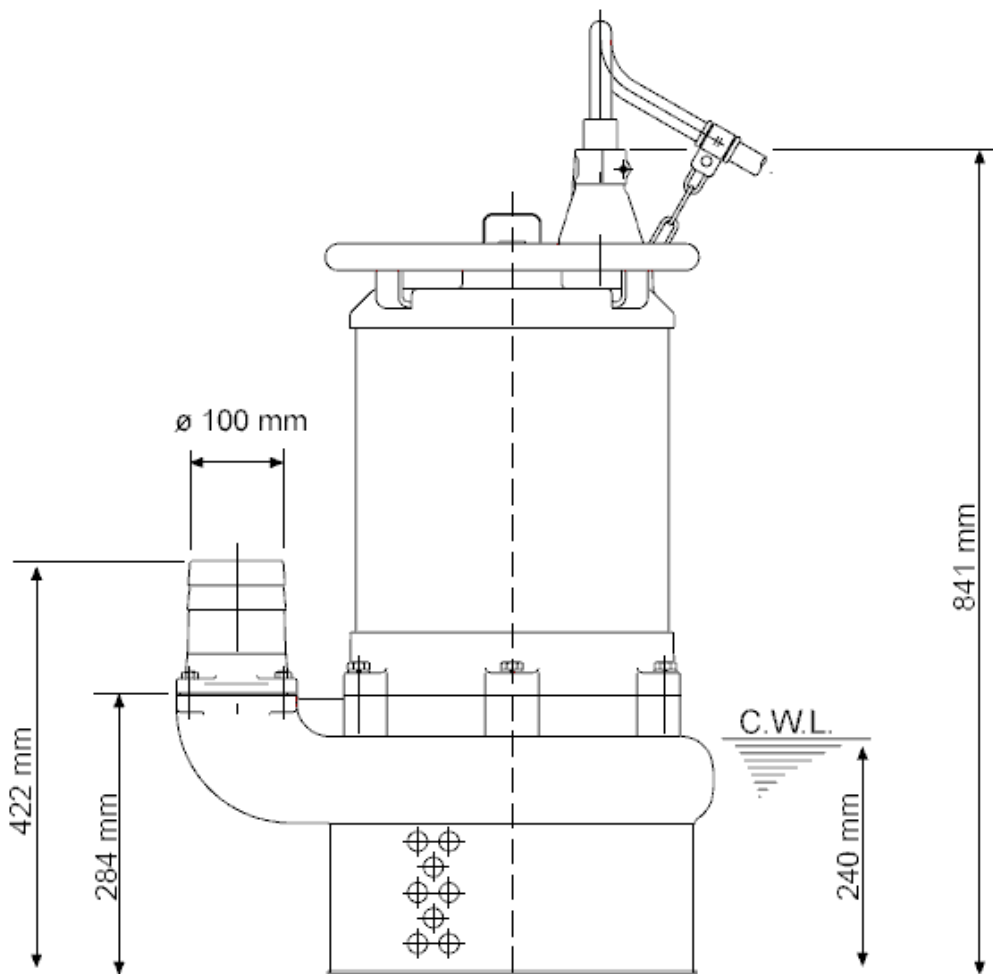
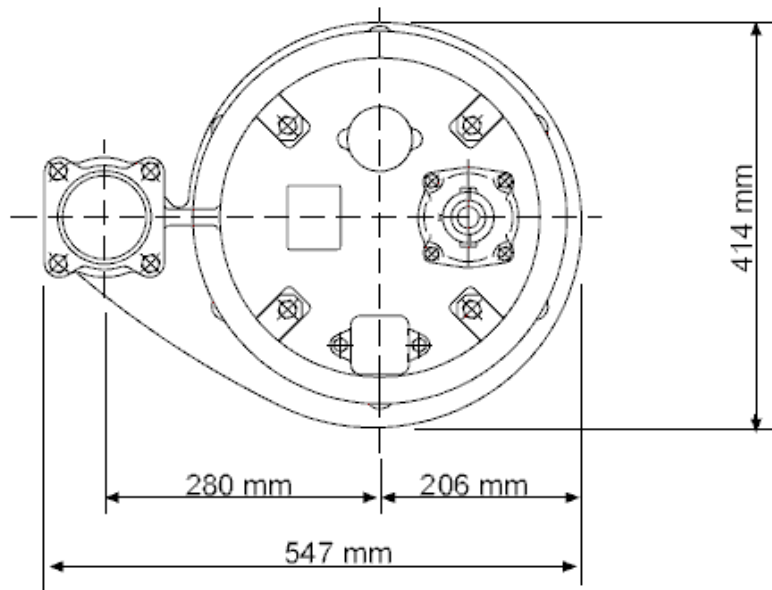
NKZ3-100H

Discharge port	4"
Head	28,7 m
Flow	145,3 m³/h
Rated power	11,00 kW
Power input	13,21 kW
Phases	3~
Voltages	400 V
Frequency	50 Hz
Rated current	22 A
Starting current	155,10 A
Number of poles	4
Speed	1450 1/min
Starting mode	Direct starting
Insulation class	B



Dimensions

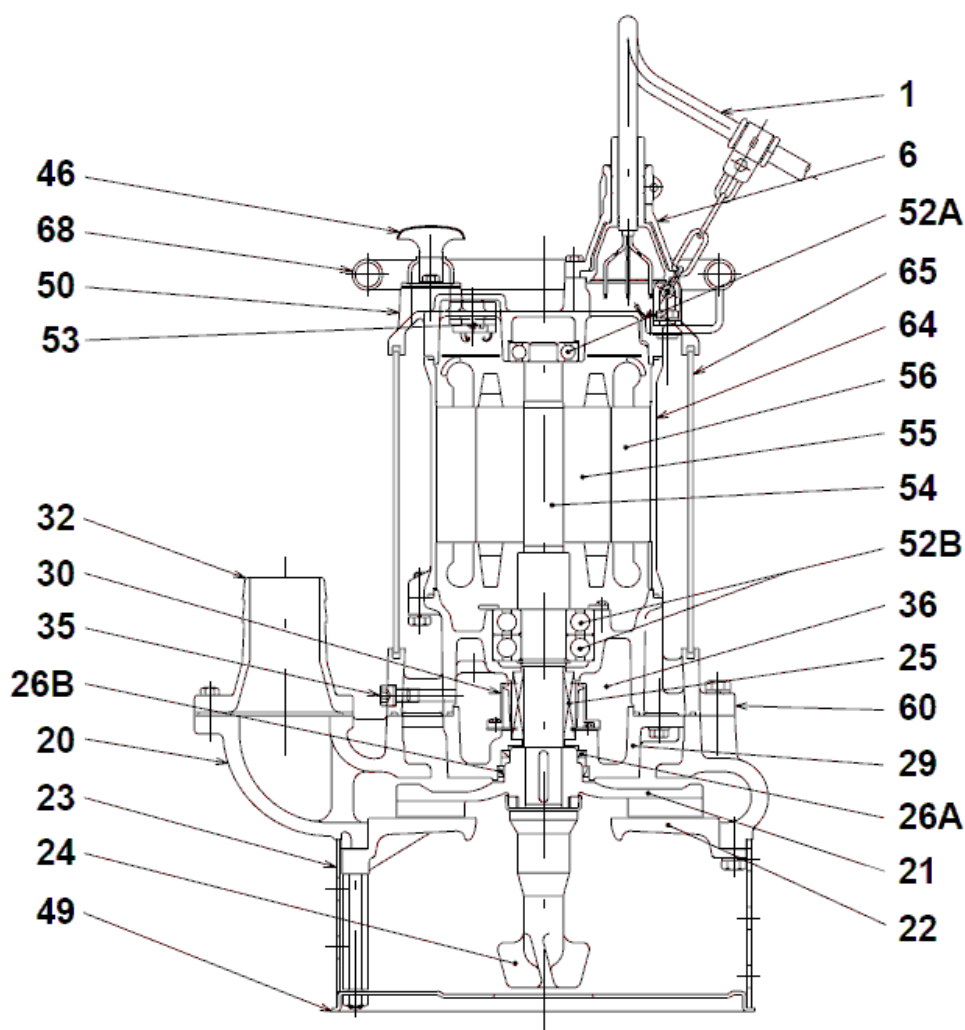
NKZ3-100H



NKZ3-100H

CWL: Continuous running water level
 LWL: Lowest running water level

Sectional drawing NKZ3-100H



NKZ3-100H

No.	Description	Remark	No.	Description	Remark
1	Cable	20m NSSHÖU	52B	Lower bearing (2x)	6310ZZD2C3
6	Stuffing box	FC200 (EN-GJL-200)	53	Motor Protector 380/400/415V-50Hz	KA314-HRXL00 (H.C)
20	Pump casing	FC200 (EN-GJL-200)	54	Shaft	DIN 1.4028 (EN-X30Cr13)
21	Impeller	Chromium iron casting	55	Rotor	.
22	Suction cover	FCD700 (EN-GJS-700-2)	56	Stator	.
23	Strainer	Steel plate	60	Bearing Housing	FC150 (EN-GJL-150)
24	Agitator	FCD700 (EN-GJS-700-2)	64	Motor Frame	FC150 (EN-GJL-150)
25	Mechanical seal	H-35	65	Outer Cover	Construction steel SS400
26A	Upper Oil seal	VC-60756	68	Handle	electroplated steel pipe
26B	Lower Oil seal	DD-718195			
29	Oil casing	FC200 (EN-GJL-200)			
32	Discharge coupling	FC200 (EN-GJL-200)			
35	Oil screw	DIN 1.4301 (EN-X5CrNi 18-10)			
36	Lubricant	Turbine oil (ISO VG32)			
50	Motor cover	FC150 (EN-GJL-150)			
52A	Upper bearing	6307ZZC3			