

GPN411-51

Kontroll-Nr. --

2015-12-14 V.17 / 1.10.2014

GPN411-51			
Item	Item no.	Description	Quant.
1	001-TEG-11	Cable Set (20m) H07RN-F4Cx4mm2 without stuffing box	1
1	M01-TEG-11	Cable Set (20m) NSSHÖU 4Cx4mm2	1
2	070-000-52	Cable Clamp SUS316 (DIN 1.4401) Stainless Steel	1
3	141-004-17	Hex. Nut M6 SUS304 (EN X5CrNi18-10) Stainless Steel	1
4	010-120-18	Cable Clip No.2-1 SPC	1
5	095-131-18	Chain d4(3-Link) SS	1
6	010-122-10	Cable Clip Rubber No.2 NBR	1
7	011-110-11	Shackle 6mm SS	1
8	140-081-15	Hex.Bolt M10x50 SUS304 (EN X5CrNi18-10) Stainless Steel	4
9	142-164-19	Spring Washer M10 SUS304 (EN X5CrNi18-10) Stainless Steel	4
10	142-128-24	Plain Washer M10 (SPC)	1
11	070-103-10	Cable Clamper (SS)	1
12	140-032-11	Hex.Bolt M6x15 SUS304 (EN X5CrNi18-10) Stainless Steel	1
13	006-127-15	Stuffing Box No.3 FC	1
14	140-035-27	Hex.Bolt M6x20 SUS304 (EN X5CrNi18-10) Stainless Steel	2
15	008-150-13	Mould Cover KR3-12 CR	1
16	009-123-10	Terminal P-5.5 CU	6
17	002-129-15	Heat Shrink Tube (Sold per meter) EVA(d14x1t) (Vm)	1
18	002-132-11	Heat Shrink Tube (Sold per meter) A4(d17x0.3t) (Vm)	1
19	009-101-12	Terminal (C/W Screw) d12x(d6.6xd6.6)x25l BSBM	3
20	140-055-10	Hex.Bolt M6x25 SUS316 (DIN 1.4401) Stainless Steel	4
21	143-041-12	Pan Screw M6x8 SWRM	1
22	142-162-33	Spring Washer M6 SWRH	1
23	009-106-17	Terminal R-8-6 CU	1
24	050-368-17	Motor Bracket FC	1
25	122-250-11	O-Ring 230xd3.8 NBR	1
26	053-398-15	Motor Protector 380V-50HZ KA314-HLYL00 (B.C)	1
27	142-124-20	Plain Washer M4 SPC	2
28	142-160-31	Spring Washer M4 SWRH	2
29	143-017-19	Pan Screw M4x14 SWRM	2
30	058-125-14	Lead Wire Protection Plate d110xd190x1.2t SPC+NBR	1
31	055-571-10	Rotor	1
32	147-011-15	Impeller Key12x8x40l EN X30Cr13	1
33	056-001-99	Stator	1
34	140-052-17	Hex.Bolt M6x16 SUS304 (EN X5CrNi18-10)	2
35	046-000-05	Air Release Valve NKZ (SPC)	1
36	121-151-18	Packing P.C.80xd50 CR	1
37	142-128-11	Plain Washer M10 SUS304	4
38	121-343-19	Packing d9.5xd16x5t NBR	4
39	203-017-18	Ball d28 NBR	1
40	068-172-17	Handle NKZ2-11KW SGP+SPC	1
41	142-199-13	Wave Washer #6208/6307 SK-5	1
42	052-110-18	Bearing 6307ZZC3	1
43	142-162-33	Spring Washer M6 SWRH	2
44	143-042-13	Pan Screw M6x10 SWRM	2
45	122-161-14	O-Ring G-300 NBR	1
46	065-159-19	Outer Cover NKZ2-11KW SS	1
47	122-161-14	O-Ring G-300 NBR	1
48	064-302-16	Motor Frame FC	1
49	122-250-11	O-Ring 230xd3.8 NBR	1
50	140-052-33	Hex.Bolt M6x16 SWRM	3
51	062-158-19	Bearing Fixing Plate d95xd144x4.5t SPCC	1
52	140-099-16	Hex.Bolt M12x40 SUS304 (EN X5CrNi18-10) Stainless Steel	6
53	142-165-10	Spring Washer M12 SUS304 (EN X5CrNi18-10)	6
54	060-242-15	Bearing Housing FC	1
55	026-156-15	Oil Seal TC-55729 NBR	1
56	122-120-11	O-Ring G-45 NBR	1
57	071-134-20	Shaft Sleeve GPN2-100 SUS304 (EN X5CrNi18-10) Stainless Steel	1
58	025-210-15	Mechanical Seal NH-50 SiC	1
59	122-251-12	O-Ring 205xd3.8 NBR	1
60	029-195-28	Oil Casing GPN2-100 FC	1
61	061-142-17	Bearing Collar d50xd70x3t SPC	1
62	052-113-11	Bearing 6310ZZC3	1
63	146-029-13	Retaining Ring C50 SK-5	1
64	142-164-19	Spring Washer M10 SUS304 (EN X5CrNi18-10) Stainless Steel	4
65	140-079-10	Hex.Bolt M10x40 SUS304 (EN X5CrNi18-10) Stainless Steel	4
66	121-247-12	Packing d12.3xd18x2t PE	1
67	035-113-18	Oil Plug M12x14 SUS304 (EN X5CrNi18-10)	1
68	143-070-10	Pan Screw M5x6 SWRM	3
69	142-164-19	Spring Washer M10 SUS304 (EN X5CrNi18-10) Stainless Steel	4
70	140-000-01	Hex.Bolt M10x30(B=14) SUS304 (EN X5CrNi18-10) Stainless Steel	4
71	122-295-18	O-Ring 310xd3.8 NBR	1
72	020-543-15	Pump Casing GPN2-100 FC	1
73	021-576-10	Impeller (50Hz) 50Hz HiCrFC	1
74	120-105-14	Packing d291xd348x0.5t PE	1
75	140-139-19	Hex.Bolt M16x143(B=19.) SUS304 (EN X5CrNi18-10) Stainless Steel	1
76	140-057-41	Hex.Bolt M8x35(B=14) SWRM	4
77	022-467-23	Suction Cover 50Hz FC	1
78	142-210-11	Plain Washer d8.6xd13.4x1t SUS304 (EN X5CrNi18-10) Stainless Steel	4
79	142-129-25	Plain Washer M12 SPC	3
80	141-005-18	Hex.Nut M8 SUS304	4
81	144-478-15	Stud Bolt M12x11(25/21) SUS403 (EN-X6Cr13)	3

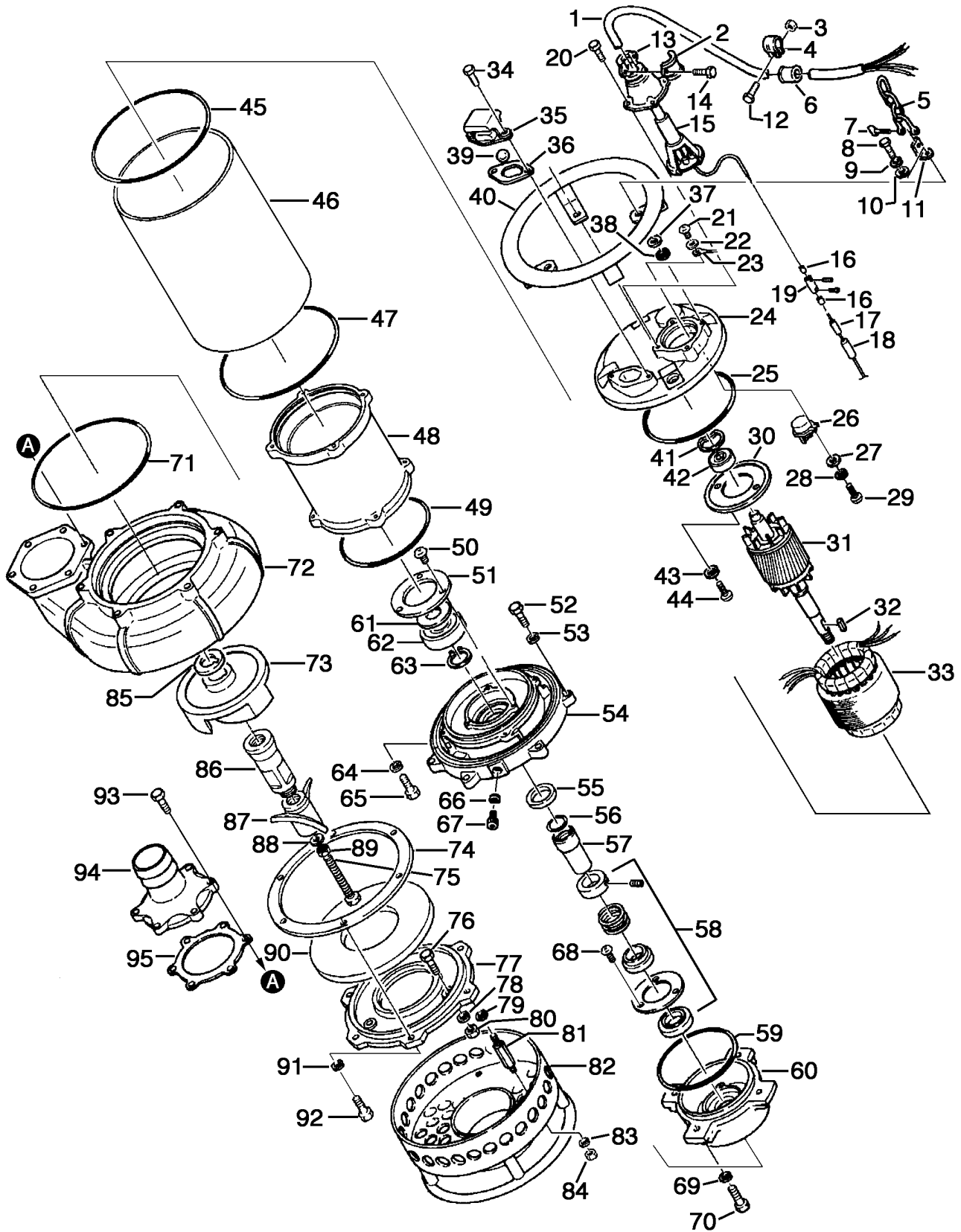
GPN411-51

Kontroll-Nr. --

2015-12-14 V.17 / 1.10.2014

GPN411-51			
Item	Item no.	Description	Quant.
82	023-253-14	Strainer Stand 50Hz SPC+SGP	1
83	142-165-10	Spring Washer M12 SUS304 (EN X5CrNi18-10)	3
84	141-007-10	Hex.Nut M12 SUS304 (EN X5CrNi18-10)	3
85	040-123-17	Impeller Shim d45.2xd59x0.3t SUS304 (EN X5CrNi18-10) Stainless Steel	1
86	024-131-18	Connection Rod GPN2-80 FCMB	1
87	024-120-14	Stirrer GPN-80 HiCrFC	1
88	142-130-16	Plain Washer M16 SUS304 (EN X5CrNi18-10) Stainless Steel	1
89	141-008-40	Hex.Nut M16(=10) SUS304 (EN X5CrNi18-10) Stainless Steel	1
90	033-114-13	Suction Plate 50Hz HiCrFC	1
91	142-129-25	Plain Washer M12 SPC	3
92	140-097-14	Hex.Bolt M12x30 SUS304 (EN X5CrNi18-10)	3
93	140-099-16	Hex.Bolt M12x40 SUS304 (EN X5CrNi18-10) Stainless Steel	6
94	032-204-18	Hose Coupling 100mm(NKZ2) FC	1
95	121-184-10	Packing NKZ-6 NBR	1
	173-098-17	Packing & O-Ring Set	1
	##oilVG32	ml Turbine Oil ISO VG32	2500

Exploded View GPN411-51



GPN411-51