

GPN415-51

Kontroll-Nr. --

2015-06-30 V.17 / 1.10.2014

GPN415-51			
Item	Item no.	Description	Quant.
1	141-004-33	Hex.Nut M6 SWRM	1
2	010-120-18	Cable Clip No.2-1 SPC	1
3	010-122-10	Cable Clip Rubber No.2 NBR	1
4	140-032-37	Hex.Bolt M6x15 SWRM	1
5	095-131-18	Chain d4(3-Link) SS	1
6	011-110-11	Shackle 6mm SS	1
7	140-081-15	Hex.Bolt M10x50 SUS304 (EN X5CrNi18-10) Stainless Steel	4
8	142-164-19	Spring Washer M10 SUS304 (EN X5CrNi18-10) Stainless Steel	4
9	142-128-24	Plain Washer M10 (SPC)	1
10	070-103-10	Cable Clamper (SS)	1
11	070-107-18	Cable Clamp FC	1
12	M01-TEG-08	Cabletye Cable Set (20m) NSSHÖU 4Cx6mm2	1
13	140-055-10	Hex.Bolt M6x25 SUS316 (DIN 1.4401) Stainless Steel	4
14	006-127-15	Stuffing Box No.3 FC	1
15	140-035-14	Hex.Bolt M6x20 SUS304 (EN X5CrNi18-10) Stainless Steel	2
16	008-147-17	Mould Cover KR3-9 CR	1
17	140-052-17	Hex.Bolt M6x16 SUS304 (EN X5CrNi18-10)	2
18	046-000-05	Air Release Valve NKZ (SPC)	1
19	203-017-18	Ball d28 NBR	1
20	121-151-18	Packing P.C.80xd50 CR	1
21	068-172-17	Handle NKZ2-11KW SGP+SPC	1
22	121-343-19	Packing d9.5xd16x5t NBR	4
23	142-128-11	Plain Washer M10 SUS304	4
24	143-041-12	Pan Screw M6x8 SWRM	1
25	009-106-17	Terminal R-8-6 CU	1
26	009-101-12	Terminal (C/W Screw) d12x(d6.6xd6.6)x25l BSBM	3
27	009-125-12	Terminal E (Small) CU	6
28	002-129-15	Heat Shrink Tube (Sold per meter) EVA(d14x1t) (Vm)	1
29	002-132-11	Heat Shrink Tube (Sold per meter) A4(d17x0.3t) (Vm)	1
30	050-368-17	Motor Bracket FC	1
31	122-250-11	O-Ring 230xd3.8 NBR	1
32	142-199-13	Wave Washer #6208/6307 SK-5	1
33	052-110-18	Bearing 6307ZZC3	1
34	058-125-14	Lead Wire Protection Plate d110xd190x1.2t SPC+NBR	1
35	142-162-33	Spring Washer M6 SWRH	2
36	143-042-13	Pan Screw M6x10 SWRM	2
37	053-398-15	Motor Protector 380V-50HZ KA314-HLYL00 (B.C)	1
38	142-124-20	Plain Washer M4 SPC	2
39	142-160-31	Spring Washer M4 SWRH	2
40	143-017-19	Pan Screw M4x14 SWRM	2
41	055-571-10	Rotor	1
42	147-011-15	Impeller Key12x6x40l EN X30Cr13	1
43	056-	Stator	1
44	122-161-14	O-Ring G-300 NBR	1
45	065-159-19	Outer Cover NKZ2-11KW SS	1
46	122-161-14	O-Ring G-300 NBR	1
47	064-302-16	Motor Frame FC	1
48	122-250-11	O-Ring 230xd3.8 NBR	1
49	140-052-33	Hex.Bolt M6x16 SWRM	3
50	062-158-19	Bearing Fixing Plate d95xd144x4.5t SPCC	1
51	061-142-17	Bearing Collar d50xd70x3t SPC	1
52	052-113-11	Bearing 6310ZZC3	1
53	146-029-13	Retaining Ring C50 SK-5	1
54	140-099-16	Hex.Bolt M12x40 SUS304 (EN X5CrNi18-10) Stainless Steel	6
55	142-165-10	Spring Washer M12 SUS304 (EN X5CrNi18-10)	6
56	142-164-19	Spring Washer M10 SUS304 (EN X5CrNi18-10) Stainless Steel	4
57	140-079-10	Hex.Bolt M10x40 SUS304 (EN X5CrNi18-10) Stainless Steel	4
58	121-247-12	Packing d12.3xd18x2t PE	1
59	035-113-18	Oil Plug M12x14 SUS304 (EN X5CrNi18-10)	1
60	060-242-15	Bearing Housing FC	1
61	026-156-15	Oil Seal TC-55729 NBR	1
62	122-120-11	O-Ring G-45 NBR	1
63	071-134-20	Shaft Sleeve GPN2-100 SUS304 (EN X5CrNi18-10) Stainless Steel	1
64	025-210-15	Mechanical Seal NH-50 SiC	1
65	143-070-10	Pan Screw M6x6 SWRM	3
66	122-251-12	O-Ring 205xd3.8 NBR	1
67	029-195-28	Oil Casing GPN2-100 FC	1
68	142-164-19	Spring Washer M10 SUS304 (EN X5CrNi18-10) Stainless Steel	4
69	140-000-01	Hex.Bolt M10x30(B=14) SUS304 (EN X5CrNi18-10) Stainless Steel	4
70	122-295-18	O-Ring 310xd3.8 NBR	1
71	020-543-15	Pump Casing GPN2-100 FC	1
72	040-123-17	Impeller Shim d45.2xd59x0.3t SUS304 (EN X5CrNi18-10) Stainless Steel	1
73	021-009-80	Impeller (50Hz) GPN415-51 HiCrFC	1
74	024-131-18	Connection Rod GPN2-80 FCMB	1
75	024-120-14	Stirrer GPN-80 HiCrFC	1
76	142-130-16	Plain Washer M16 SUS304 (EN X5CrNi18-10) Stainless Steel	1
77	141-008-40	Hex.Nut M16(=10) SUS304 (EN X5CrNi18-10) Stainless Steel	1
78	120-105-14	Packing d291xd348x0.5t PE	1
79	140-139-19	Hex.Bolt M16x143(B=19,) SUS304 (EN X5CrNi18-10) Stainless Steel	1
80	033-114-13	Suction Plate 50Hz HiCrFC	1
81	022-467-23	Suction Cover 50Hz FC	1
82	142-129-25	Plain Washer M12 SPC	3

GPN415-51

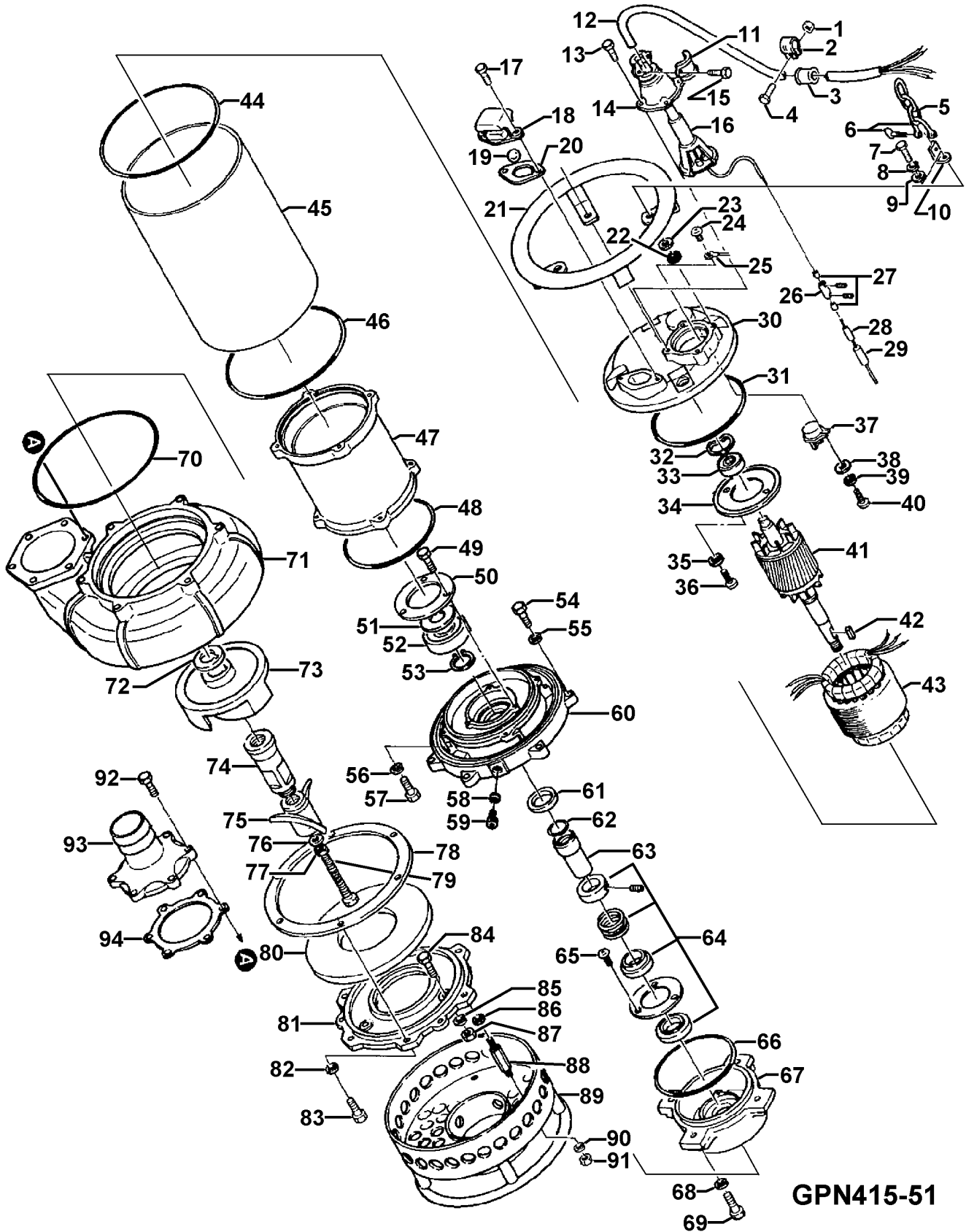
Kontroll-Nr. --

2015-06-30 V.17 / 1.10.2014

GPN415-51

Item	Item no.	Description	Quant.
83	140-097-14	Hex.Bolt M12x30 SUS304 (EN X5CrNi18-10)	3
84	140-057-41	Hex.Bolt M8x35(B=14) SWRM	3
85	142-163-18	Spring Washer M8 SUS304 (EN X5CrNi18-10)	3
86	142-129-25	Plain Washer M12 SPC	3
87	141-005-18	Hex.Nut M8 SUS304	3
88	144-478-15	Stud Bolt M12x111(25/21) SUS403 (EN-X6Cr13)	3
89	023-253-14	Strainer Stand 50Hz SPC+SGP	1
90	142-165-10	Spring Washer M12 SUS304 (EN X5CrNi18-10)	3
91	141-007-10	Hex.Nut M12 SUS304 (EN X5CrNi18-10)	3
92	140-099-16	Hex.Bolt M12x40 SUS304 (EN X5CrNi18-10) Stainless Steel	6
93	032-204-18	Hose Coupling 100mm(NKZ2) FC	1
94	121-184-10	Packing NKZ-6 NBR	1
	173-098-17	Packing & O-Ring Set	1
	##oilVG32	ml Turbine Oil ISO VG32	2500

Exploded View GPN415-51



GPN415-51