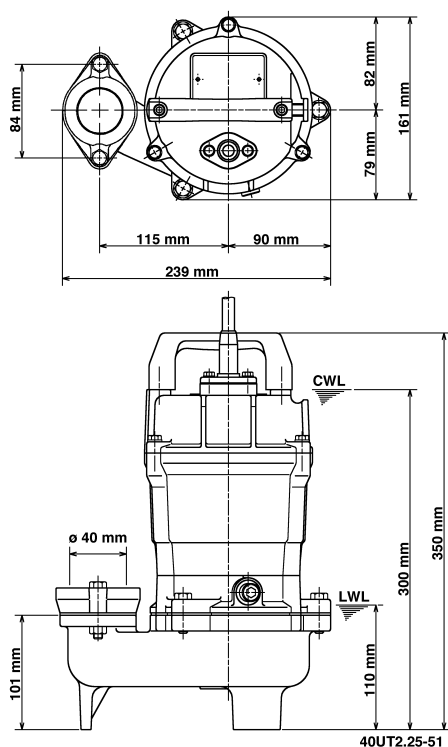
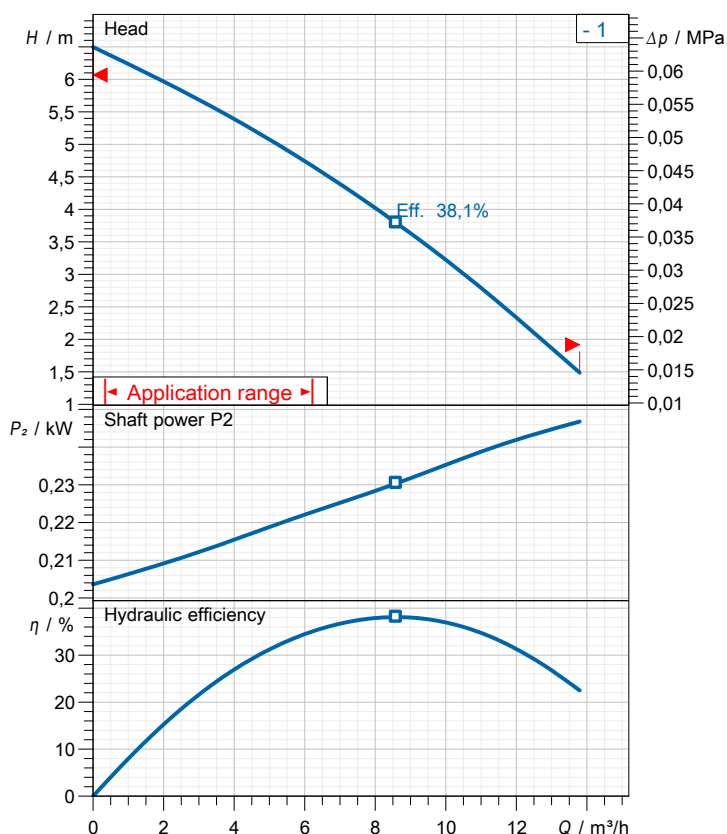


Data sheet 40UT2.25-51



CWL: Continuous running water level
LWL: Lowest running water level



Specification

Elektrische Tauchpumpe UT-Serie
Degree of protection IP 68
Pressure resistance max. 10 m
Type of impeller Vortex impeller
Free passage 35 mm
Suitable for:
waste water and liquid carrying

Electric motor

Dry-type submersible induction motor
Insulation class E 2Poles 2898 1/min
Starting mode Direct starting
Rated voltage 400 V 50 Hz 3~
Power uptake 0,48 kW
Rated power 0,25 kW
Rated current 0,9 A
Start current 4,8 A

Cable

10m H07RN-F 4Cx1,5mm²

Motor Protection

Circle thermal protector
(snap-action bi-metal device)

Shaft seal

Double inside mechanical seal in oil bath
additional lubrication by oil lifting device
Primary seal
Silicon carbide on ceramic
Secondary seal
Ceramic on carbon

Bearings

Shielded ball bearings, maintenance-free

Materials

Impeller	PPO-GF20
Pump casing	FC200 (EN-GJL-200)
Motor Frame	FC200 (EN-GJL-200)
Shaft	SUS403 (EN-X6Cr13)

Discharge size

40mm special screwed-in mating flange

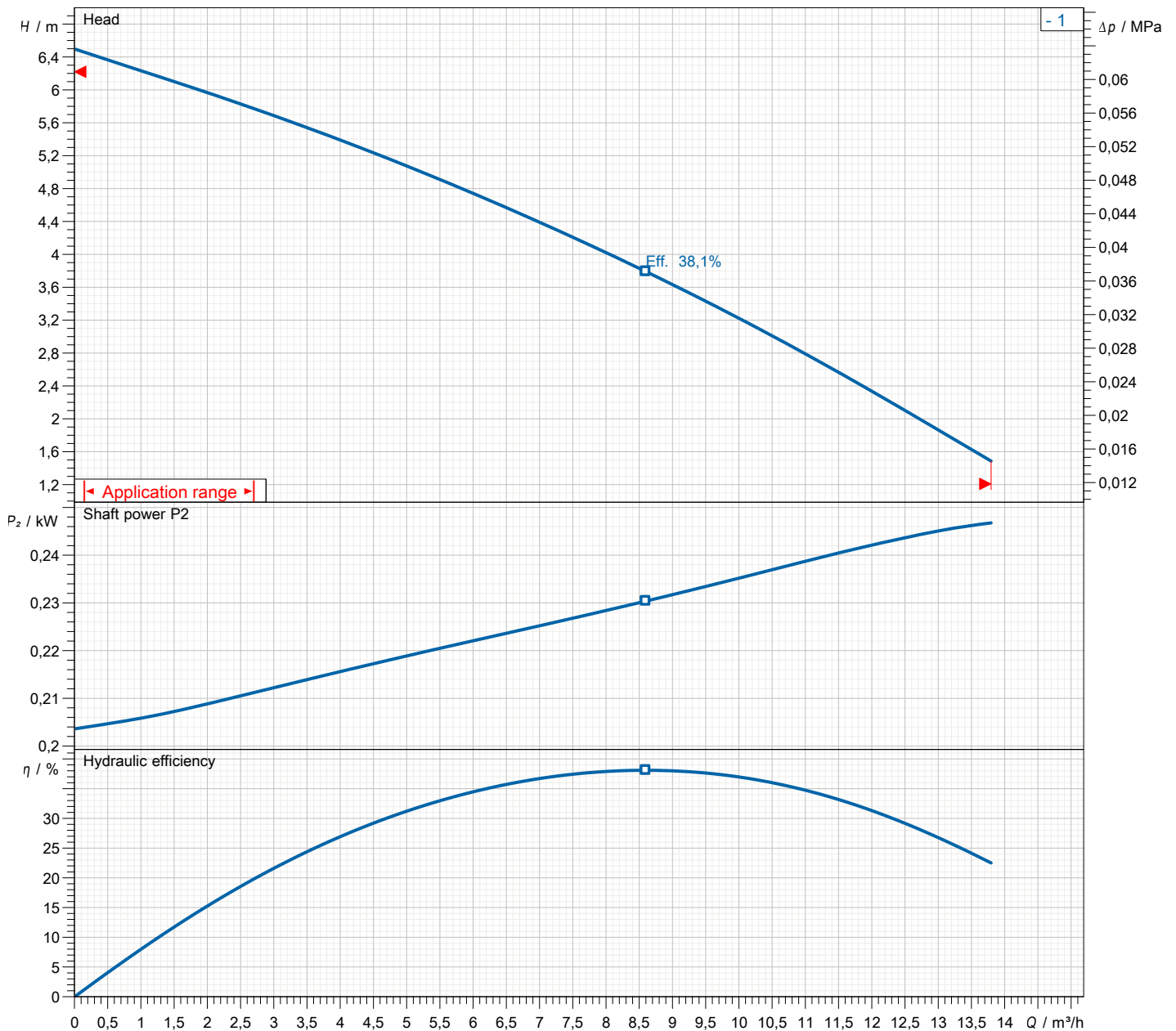
Weight

13,5 kg (dry weight of the pump only without cable)

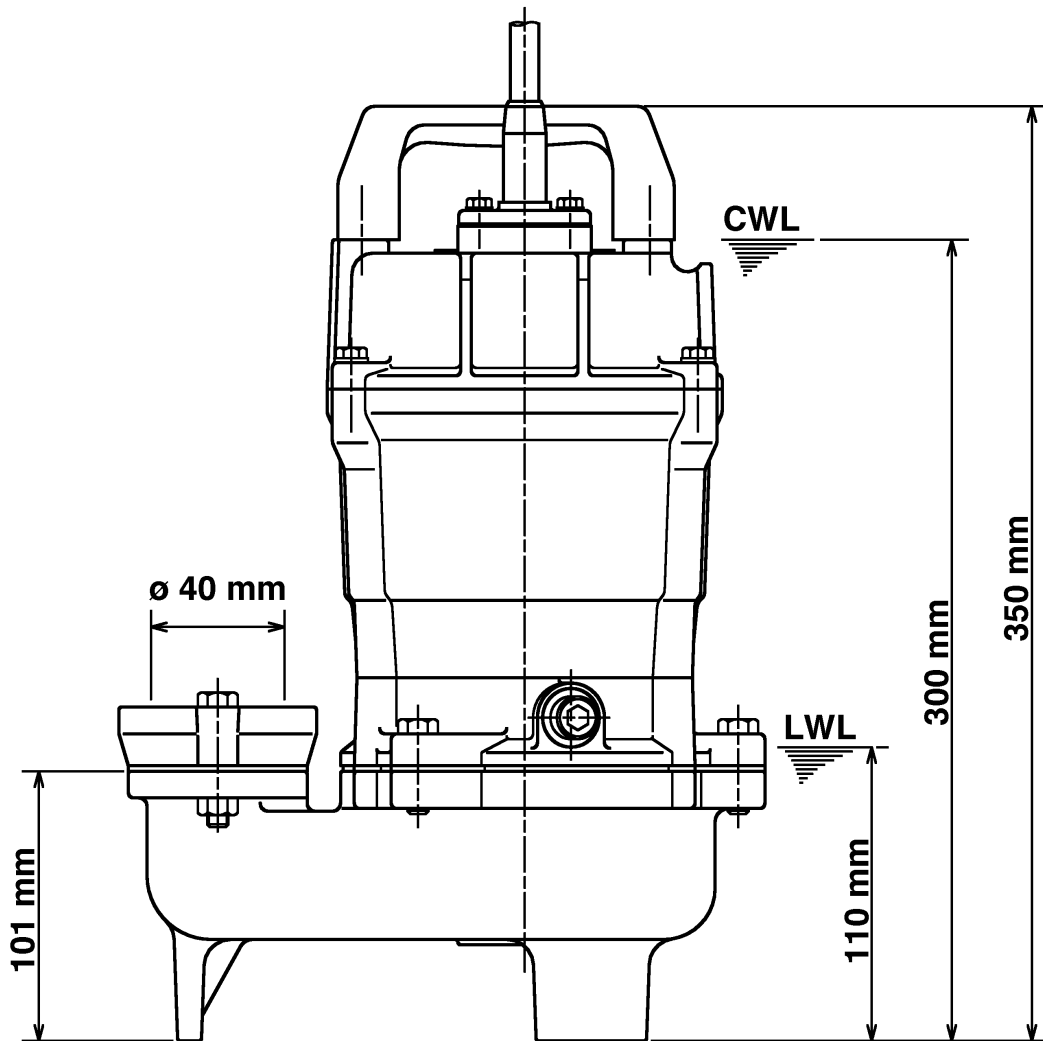
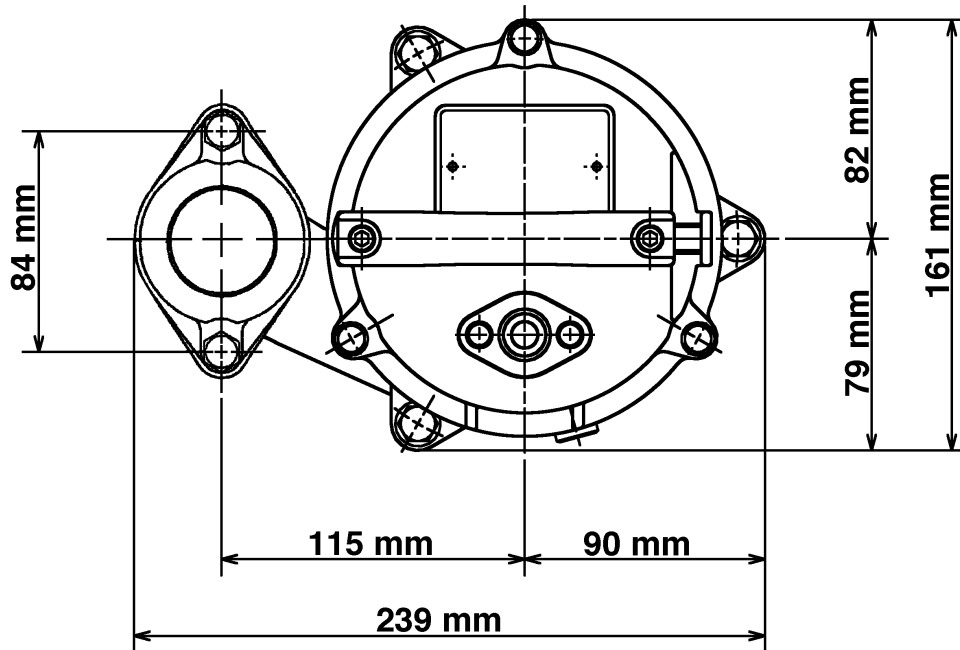
Performance curve

40UT2.25-51

Discharge port	1,5"
FördH	6,5 m
Flow	13,8 m³/h
Rated power	0,25 kW
Power input	0,48 kW
Phases	3~
Voltages	400 V
Frequency	50 Hz
Rated current	0,9 A
Starting current	4,75 A
Number of poles	2
Speed	2898 1/min
Starting mode	Direct starting
Insulation class	E



Dimensions 40UT2.25-51



40UT2.25-51

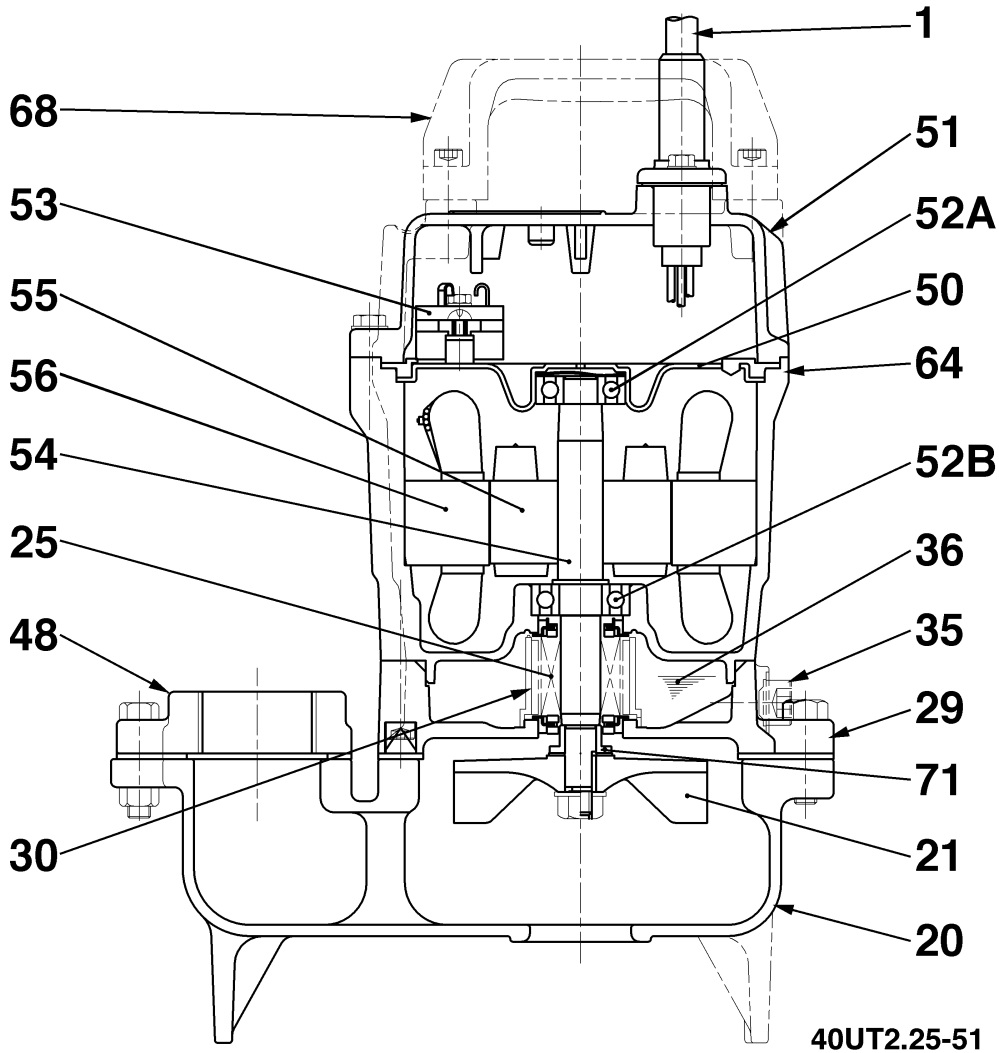
CWL: Continuous running water level
LWL: Lowest running water level

 **TSURUMI PUMP**

Tsurumi Europe GmbH
28.05.2018 V.20 / 1.11.2017

Wahlerstr. 10 * 40472 Düsseldorf * Germany
Tel.: +49-211-4179373 sales@tsurumi.eu
Fax: +49-211-417937-480 www.tsurumi.eu

Sectional drawing 40UT2.25-51



No.	Description	Remark	No.	Description	Remark
1	Cable	H07RN-F	56	Stator	.
20	Pump casing	FC200 (EN-GJL-200)	64	Motor Frame	FC200 (EN-GJL-200)
20	Impeller	PPO-GF20	68	Handle	Synthetic resin
25	Mechanical seal	W-14VL	71	Shaft protection sleeve	SUS304 (EN-X5CrNi18-10)
29	Oil casing	FC200 (EN-GJL-200)			
30	Oil distributor	Plastic			
35	Oil screw	SUS304 (EN-X5CrNi18-10)			
36	Lubricant	Turbine oil (ISO VG32)			
48	Screwed Flange	FC200 (EN-GJL-200)			
50	Motor cover	FC200 (EN-GJL-200)			
51	Main cover	FC200 (EN-GJL-200)			
52A	Upper bearing	6201ZZC3			
52B	Lower bearing	6202ZZC3			
53	Motor Protector 380/400/415V-50Hz	KA314-HRXL00 (H.C)			
54	Shaft	SUS403 (EN-X6Cr13)			
55	Rotor	.			