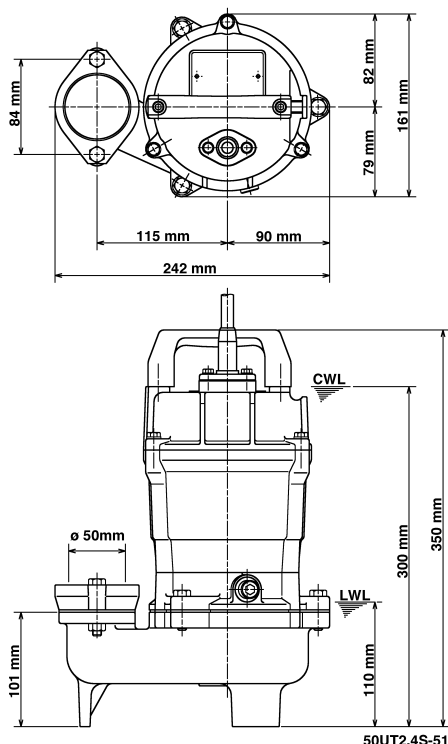
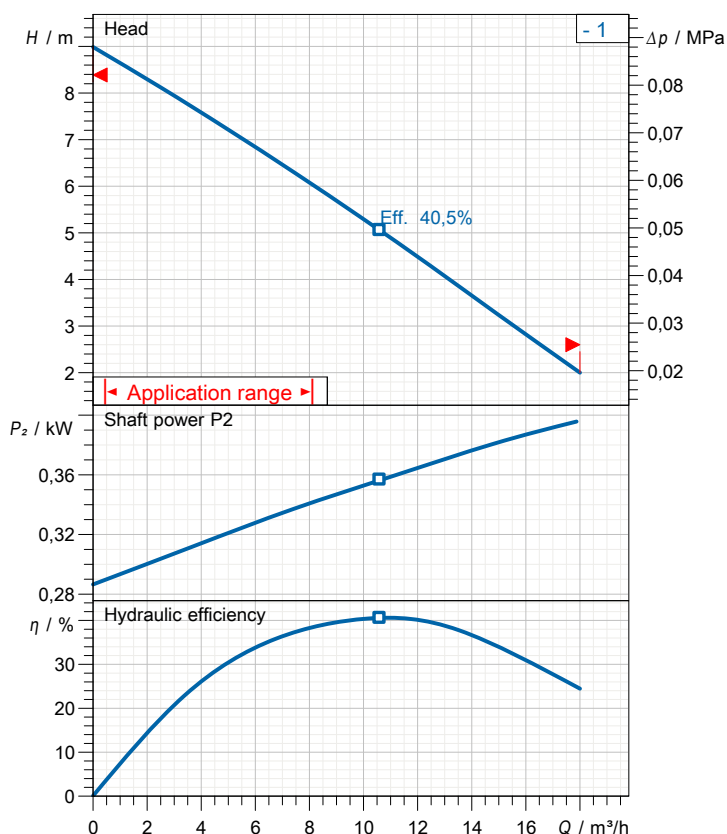


Data sheet 50UT2.4S-51



CWL: Continuous running water level
LWL: Lowest running water level



Specification

Elektrische Tauchpumpe UT-Serie
Degree of protection IP 68
Pressure resistance max. 10 m
Type of impeller Vortex impeller
Free passage 35 mm
Suitable for:
waste water and liquid carrying

Electric motor

Dry-type submersible induction motor
Insulation class E 2Poles 2705 1/min
Starting mode
Rated voltage 230 V 50 Hz 1~
Power uptake 0,65 kW
Rated power 0,40 kW
Rated current 2,8 A
Start current

Cable

10m H07RN-F 3Cx1mm²

Motor Protection

Circle thermal protector
(snap-action bi-metal device)

Shaft seal

Double inside mechanical seal in oil bath
additional lubrication by oil lifting device
Primary seal
Silicon carbide on ceramic
Secondary seal
Ceramic on carbon

Bearings

Shielded ball bearings, maintenance-free

Materials

| | |
|-------------|--------------------|
| Impeller | PPO-GF20 |
| Pump casing | FC200 (EN-GJL-200) |
| Motor Frame | FC200 (EN-GJL-200) |
| Shaft | SUS403 (EN-X6Cr13) |

Discharge size

2" (50mm) screwed-in mating flange

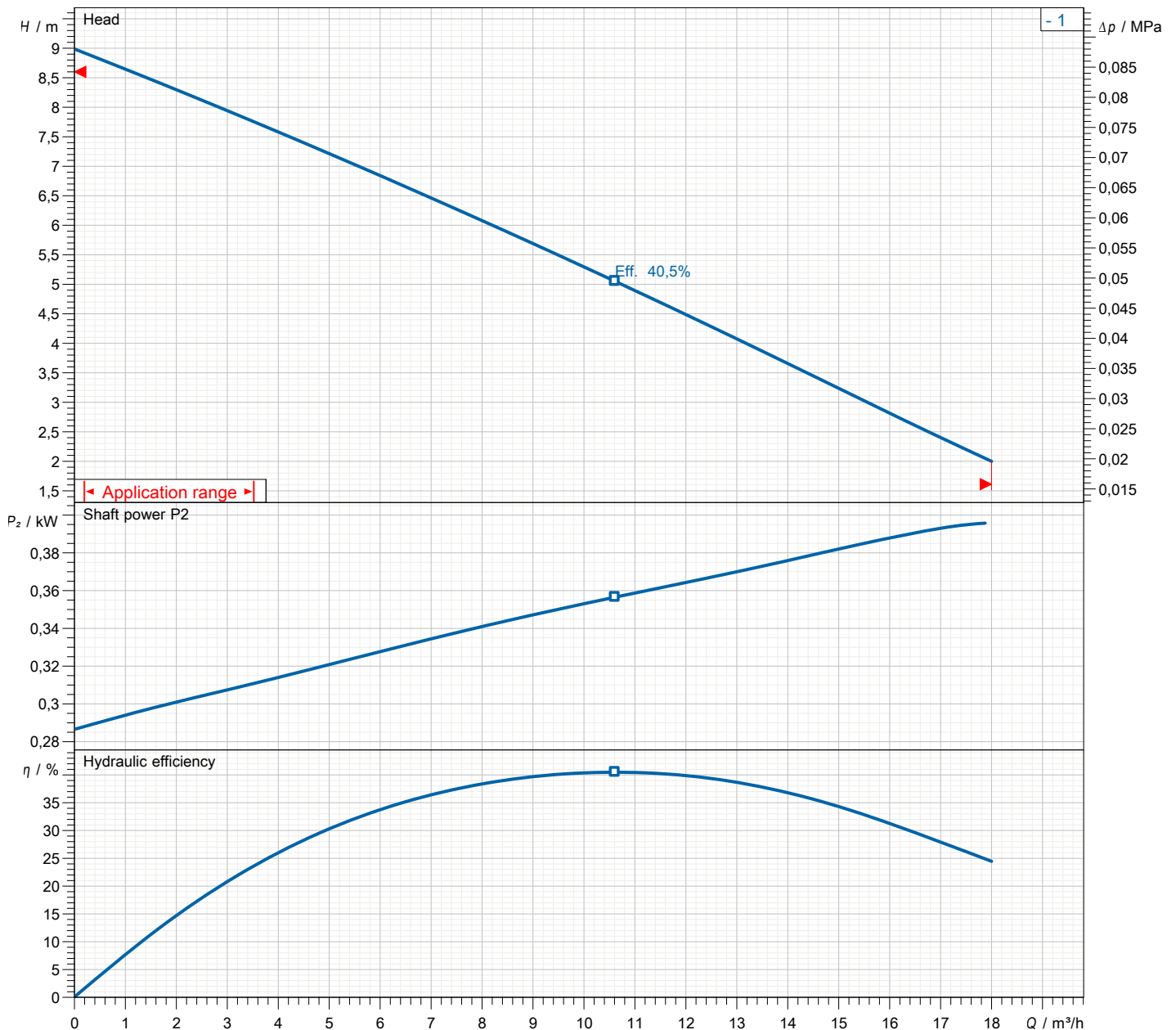
Weight

14 kg (dry weight of the pump only without cable)

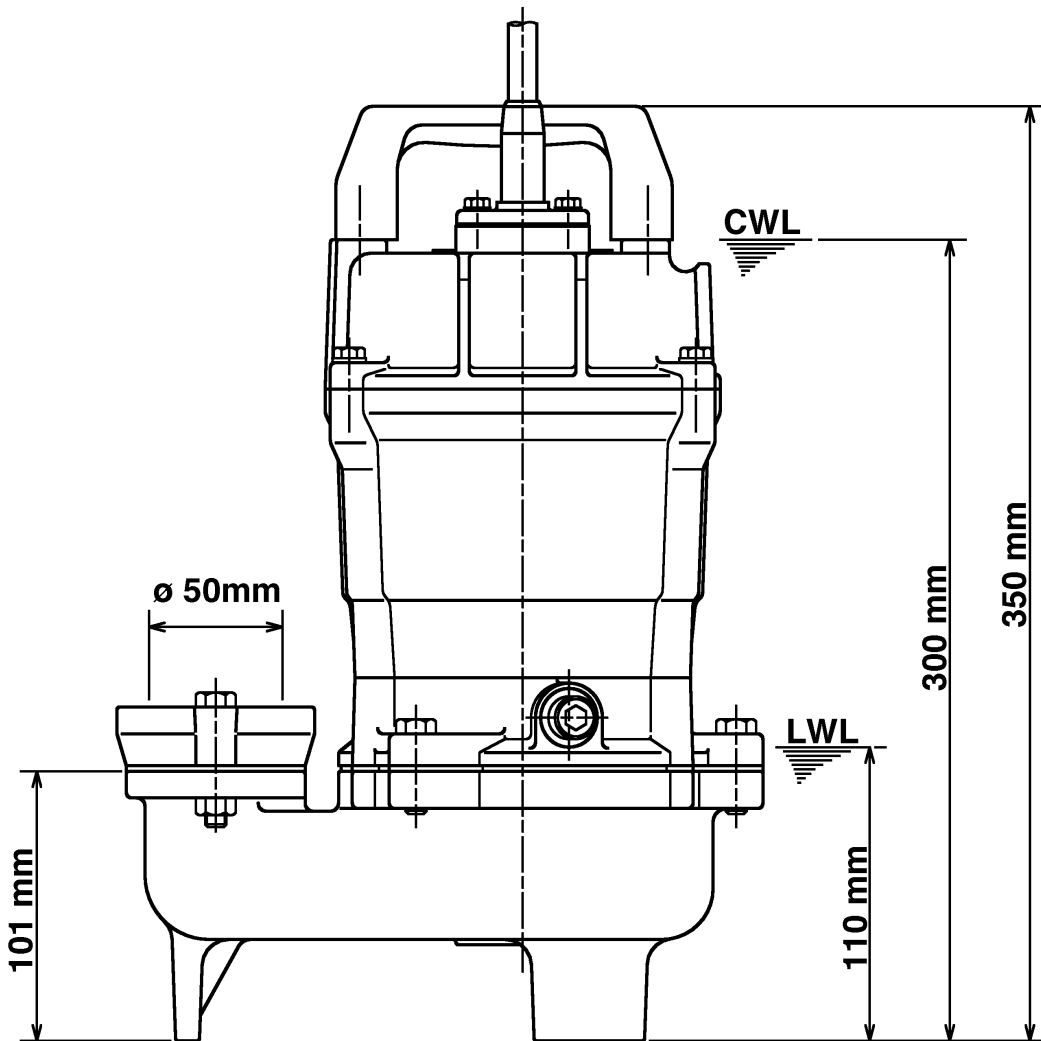
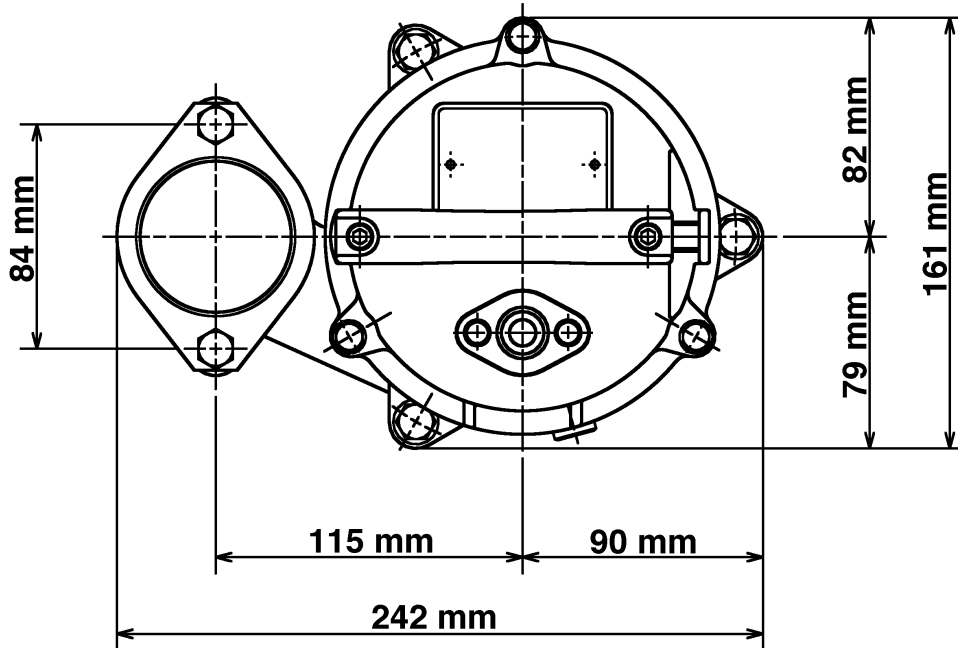
Performance curve

50UT2.4S-51

| | |
|------------------|------------|
| Discharge port | 2" |
| FördH | 9,0 m |
| Flow | 18,0 m³/h |
| Rated power | 0,40 kW |
| Power input | 0,65 kW |
| Phases | 1~ |
| Voltages | 230 V |
| Frequency | 50 Hz |
| Rated current | 2,8 A |
| Starting current | |
| Number of poles | 2 |
| Speed | 2705 1/min |
| Starting mode | |
| Insulation class | E |



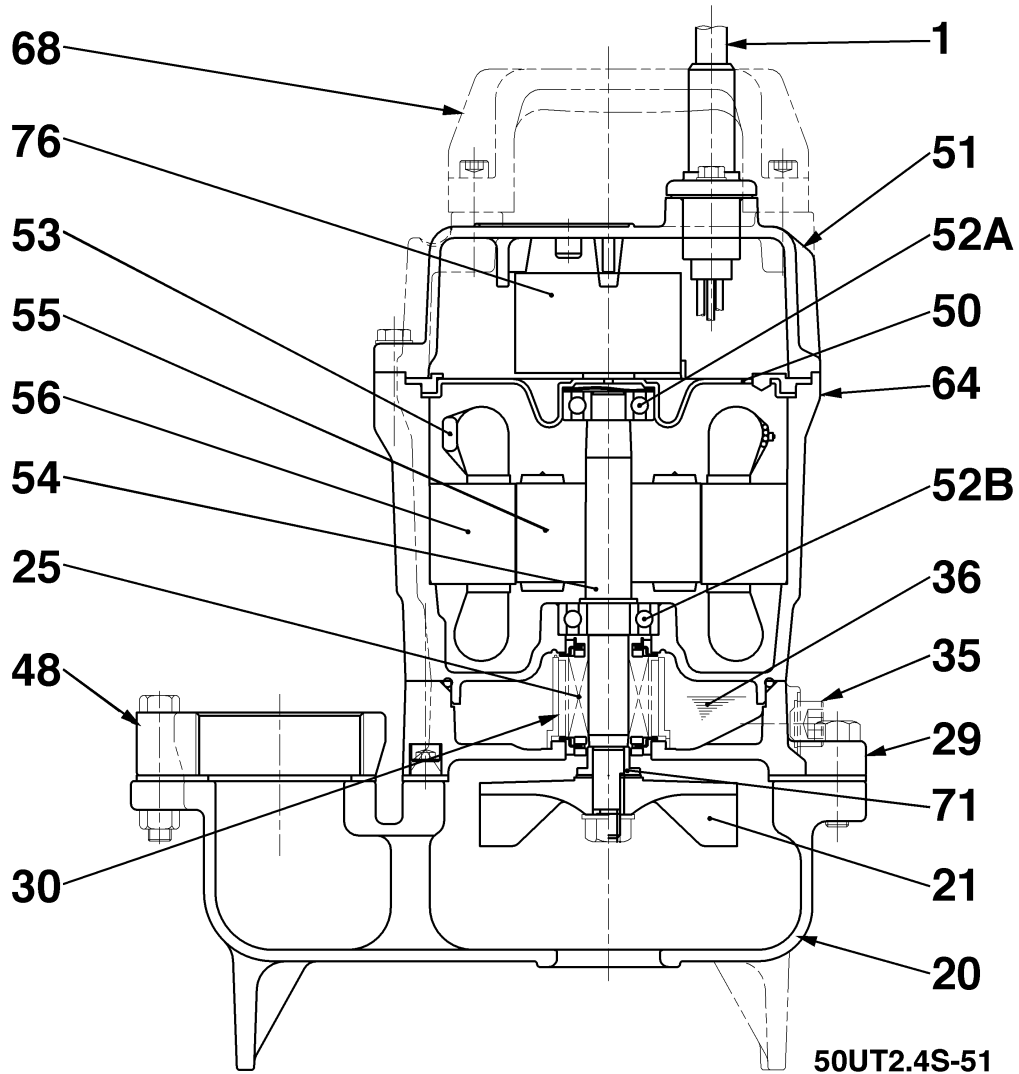
Dimensions 50UT2.4S-51



50UT2.4S-51

CWL: Continuous running water level
LWL: Lowest running water level

Sectional drawing 50UT2.4S-51



| No. | Description | Remark | No. | Description | Remark |
|-----|-----------------------------------|-------------------------|-----|-------------------------|-------------------------|
| 1 | Cable | H07RN-F | 56 | Stator | . |
| 20 | Pump casing | FC200 (EN-GJL-200) | 64 | Motor Frame | FC200 (EN-GJL-200) |
| 21 | Impeller | PPO-GF20 | 68 | Handle | Synthetic resin |
| 25 | Mechanical seal | W-14VL | 71 | Shaft protection sleeve | SUS304 (EN-X5CrNi18-10) |
| 29 | Oil casing | FC200 (EN-GJL-200) | 76 | Capacitor | . |
| 30 | Oil distributor | Plastic | | | |
| 35 | Oil screw | SUS304 (EN-X5CrNi18-10) | | | |
| 36 | Lubricant | Turbine oil (ISO VG32) | | | |
| 48 | Screwed Flange | FC200 (EN-GJL-200) | | | |
| 50 | Motor cover | FC200 (EN-GJL-200) | | | |
| 51 | Main cover | FC200 (EN-GJL-200) | | | |
| 52A | Upper bearing | 6201ZZC3 | | | |
| 52B | Lower bearing | 6202ZZC3 | | | |
| 53 | Motor Protector 380/400/415V-50Hz | KA314-HRXL00 (H.C) | | | |
| 54 | Shaft | SUS403 (EN-X6Cr13) | | | |
| 55 | Rotor | . | | | |