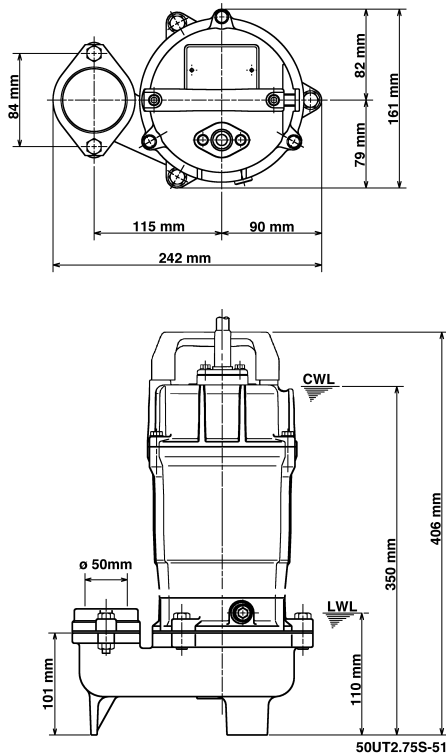
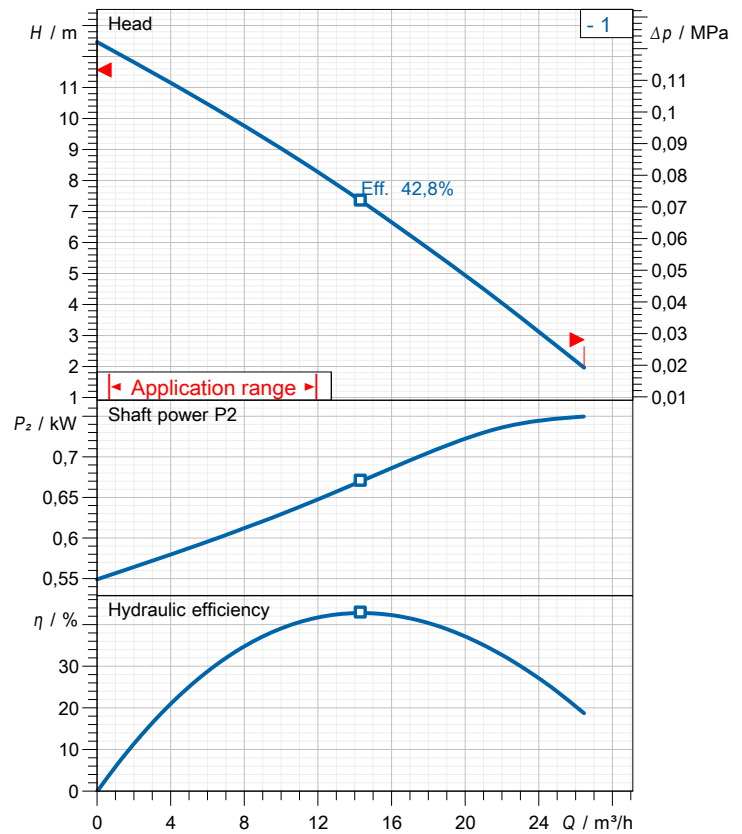


Data sheet 50UT2.75S-51



CWL: Continuous running water level
LWL: Lowest running water level



Specification

Elektrische Tauchpumpe UT-Serie
Degree of protection IP 68
Pressure resistance max. 10 m
Type of impeller Vortex impeller
Free passage 35 mm
Suitable for:
waste water and liquid carrying

Electric motor

Dry-type submersible induction motor
Insulation class E 2Poles 2824 1/min
Starting mode
Rated voltage 230 V 50 Hz 1~
Power uptake 1,14 kW
Rated power 0,75 kW
Rated current 5 A
Start current

Cable

10m H07RN-F 3Cx1mm²

Motor Protection

Circle thermal protector
(snap-action bi-metal device)

Shaft seal

Double inside mechanical seal in oil bath
additional lubrication by oil lifting device
Primary seal
Silicon carbide on ceramic
Secondary seal
Ceramic on carbon

Bearings

Shielded ball bearings, maintenance-free

Materials

Impeller	PPO-GF20
Pump casing	FC200 (EN-GJL-200)
Motor Frame	FC200 (EN-GJL-200)
Shaft	SUS403 (EN-X6Cr13)

Discharge size

2" (50mm) screwed-in mating flange

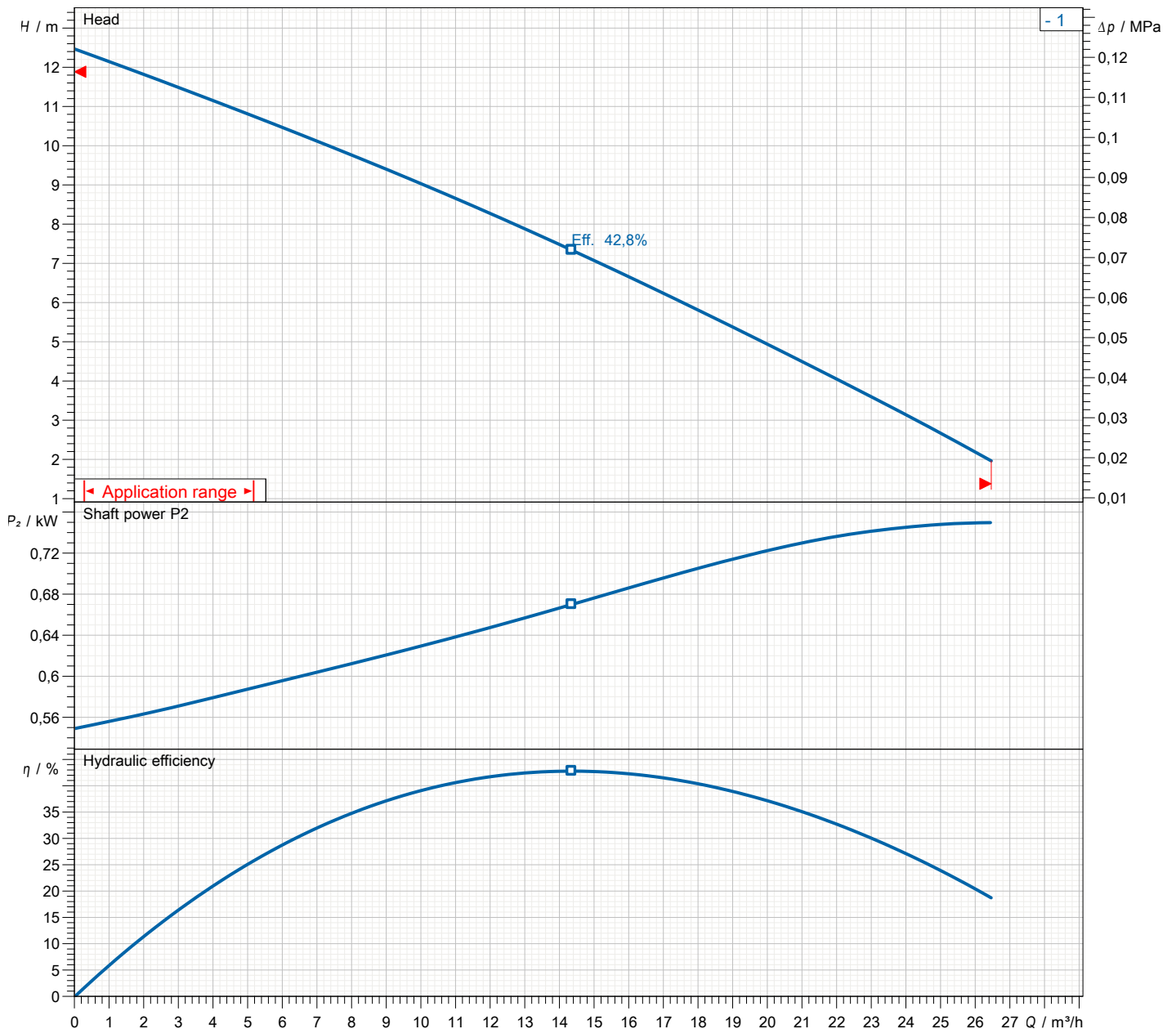
Weight

17 kg (dry weight of the pump only without cable)

Performance curve

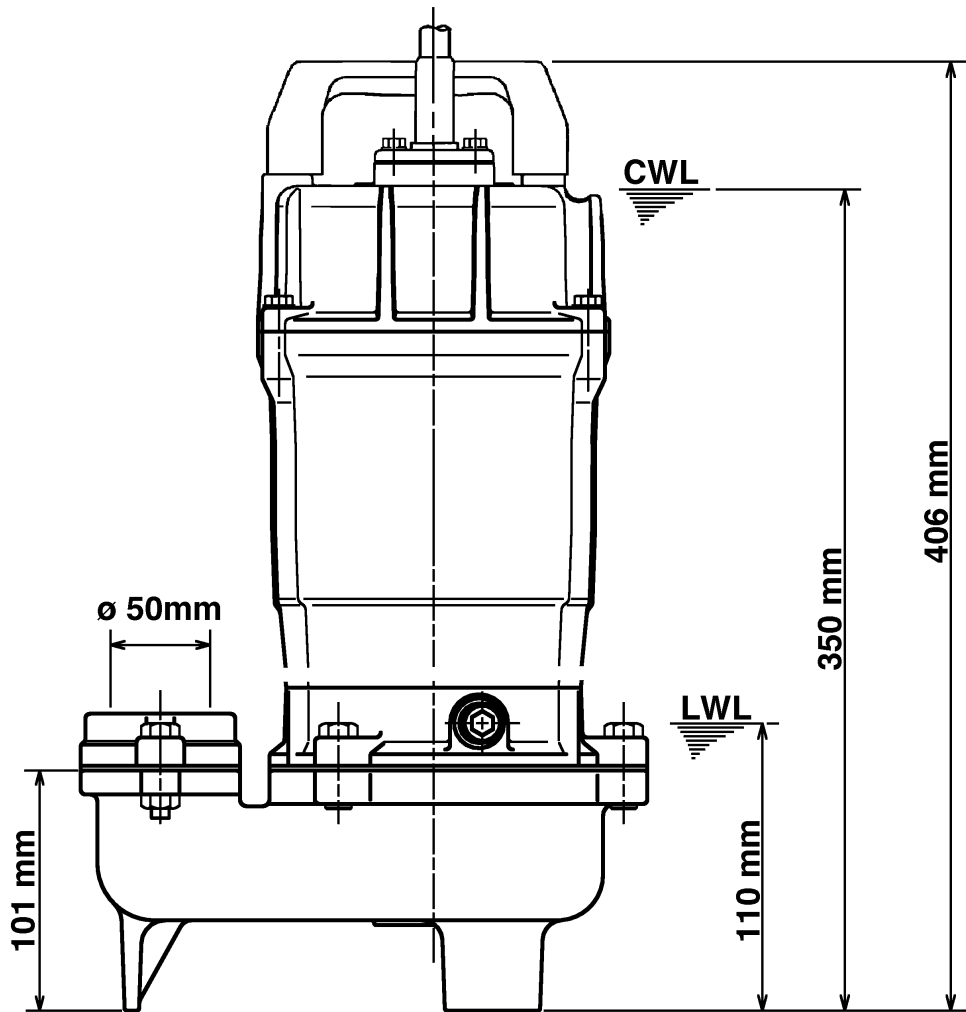
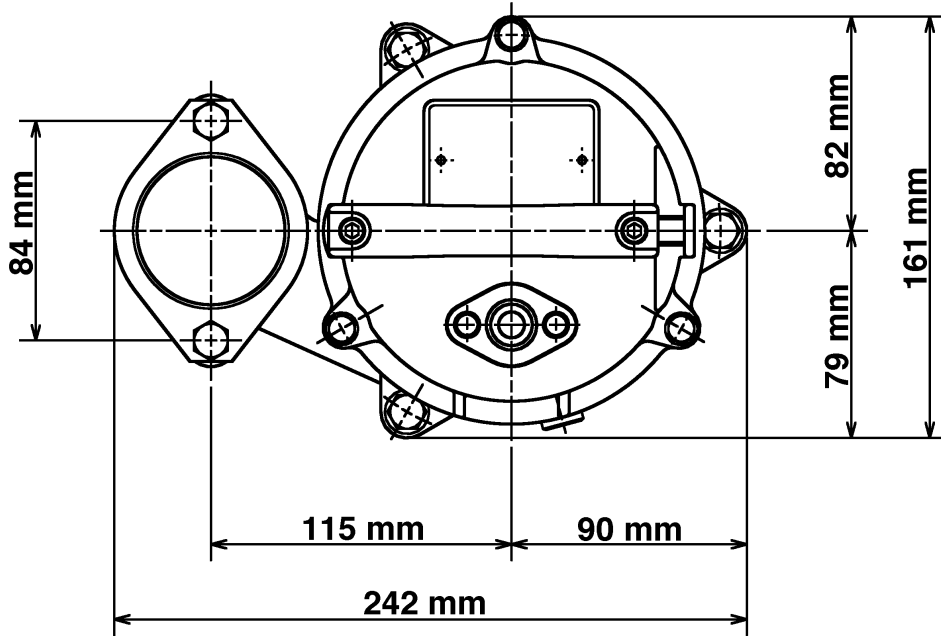
50UT2.75S-51

Discharge port	2"
FördH	12,5 m
Flow	26,5 m³/h
Rated power	0,75 kW
Power input	1,14 kW
Phases	1~
Voltages	230 V
Frequency	50 Hz
Rated current	5 A
Starting current	
Number of poles	2
Speed	2824 1/min
Starting mode	
Insulation class	E



Dimensions

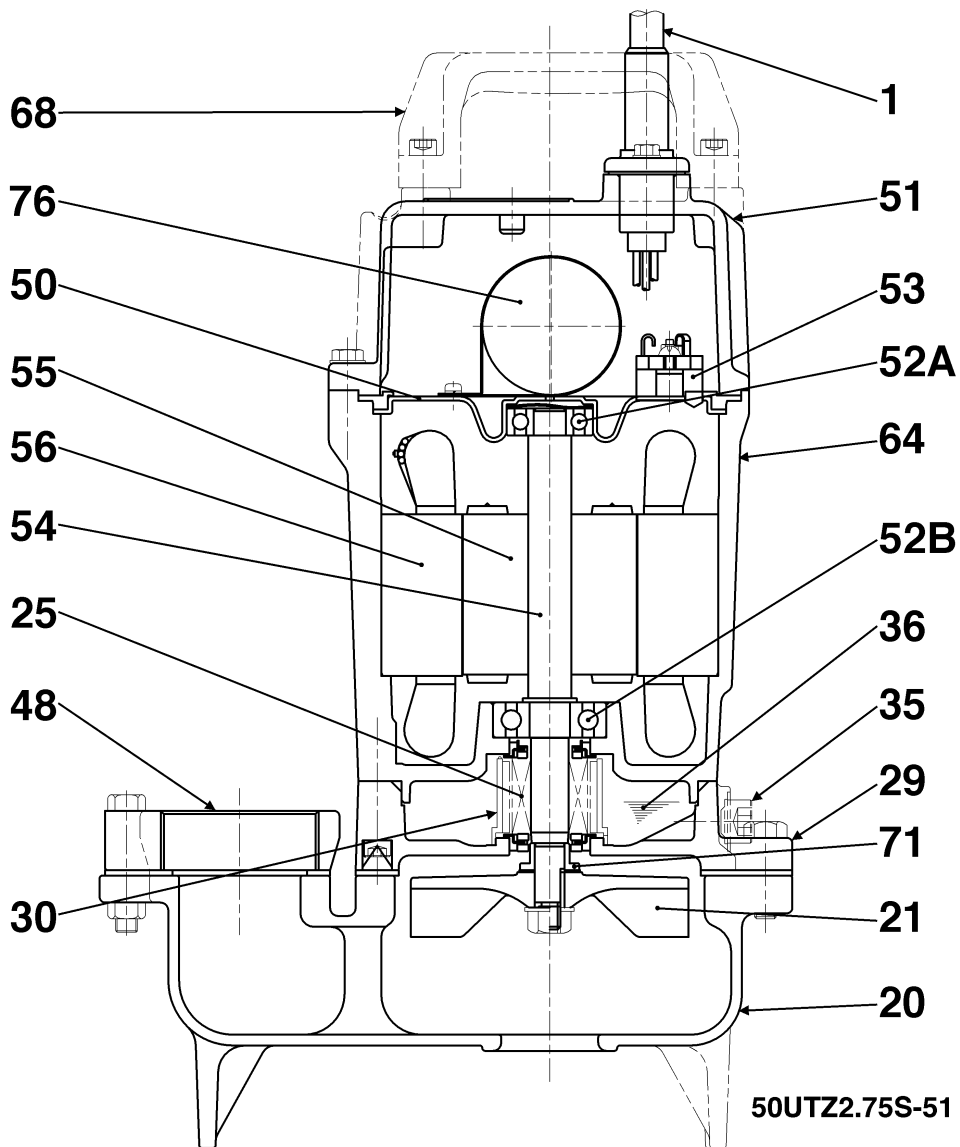
50UT2.75S-51



50UT2.75S-51

CWL: Continuous running water level
LWL: Lowest running water level

Sectional drawing 50UT2.75S-51



No.	Description	Remark	No.	Description	Remark
1	Cable	H07RN-F	56	Stator	.
20	Pump casing	FC200 (EN-GJL-200)	64	Motor Frame	FC200 (EN-GJL-200)
21	Impeller	PPO-GF20	68	Handle	Synthetic resin
25	Mechanical seal	W-14VL	71	Shaft protection sleeve	SUS304 (EN-X5CrNi18-10)
29	Oil casing	FC200 (EN-GJL-200)	76	Capacitor	.
30	Oil distributor	Plastic			
35	Oil screw	SUS304 (EN-X5CrNi18-10)			
36	Lubricant	Turbine oil (ISO VG32)			
48	Screwed Flange	FC200 (EN-GJL-200)			
50	Motor cover	FC200 (EN-GJL-200)			
51	Main cover	FC200 (EN-GJL-200)			
52A	Upper bearing	6201ZZC3			
52B	Lower bearing	6202ZZC3			
53	Motor Protector 380/400/415V-50Hz	KA314-HRXL00 (H.C)			
54	Shaft	SUS403 (EN-X6Cr13)			
55	Rotor	.			