

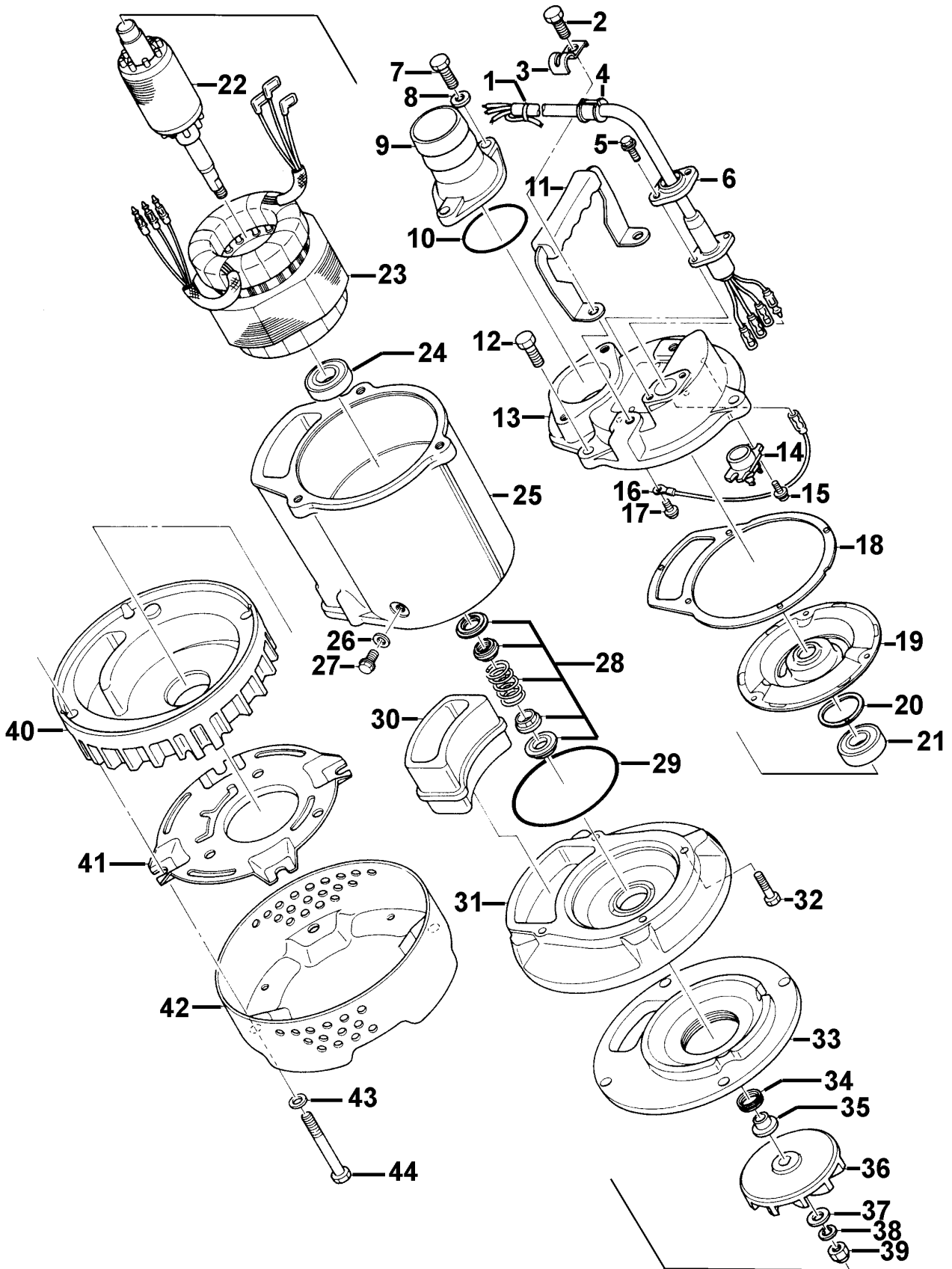
KTV2-8

Kontroll-Nr. --

2016-04-18 V.18 / 1.10.2015

KTV2-8			
Item	Item no.	Description	Quant.
1	001-TEG-31	Cable Set (20m) H07RN-F4Cx1,5mm2 with gland	1
1	M01-TEG-31	Cable Set (20m) NSSHÖU 4Cx1,5mm2	1
2	140-054-19	Hex.Bolt M8x20 SUS304 (EN X5Cr18-10)	2
3	010-112-10	Cable Clip LB2-480 SPC	1
4	010-126-17	Cable Clip Rubber HS2 NBR	1
5	140-427-17	Hex.Bolt (w/Plain Washer) M6x15 SUS304 (EN X5CrNi18-10)	2
6	003-190-10	Gland SUS316 (EN X5Cr-Ni-Mo17-12-2)	1
7	140-055-10	Hex.Bolt M8x25 SUS304 (EN X5CrNi18-10)	2
8	142-210-11	Plain Washer d8.6xd13.4x1t SUS304 (EN X5CrNi18-10) Stainless Steel	2
9	032-000-67	Hose Coupling 50mm(LB2-480) ADC	1
9	032-000-69	Hose Coupling (for EUR)BSPT-2 FC	1
10	121-138-19	Packing (Screwed Flange) LB(P.C.84) NBR	1
11	068-136-22	Handle LB SPC	1
12	140-055-10	Hex.Bolt M8x25 SUS304 (EN X5CrNi18-10)	3
13	051-221-10	Motor Head Cover ADC	1
14	053-443-16	Motor Protector 380/400/415V-50HZ KA311-DAXL68 (T.C)	1
15	143-126-12	Pan Screw (w/Spring Washer/Plain Washer) M4x12 SWRM	2
16	009-127-14	Terminal R-1.25-4 CU	1
17	143-805-34	Pan Screw (w/spring washer/plain washer) M4x6 (SWRM)	1
18	121-455-15	Packing KTV2-8 CR	1
19	050-408-10	Motor Bracket SPHC	1
20	142-194-18	Wave Washer #6203 SK-5	1
21	052-102-17	Bearing 6203ZZC3	1
22	055-678-18	Rotor	1
23	056-002-43	Stator 380/400/415V-50Hz	1
24	052-187-16	Bearing (w/O-ring) AC-6204ZZC3	1
25	064-473-19	Motor Frame ADC	1
26	121-248-13	Packing d8.2xd13.5x2t PE	1
27	035-126-14	Oil Plug M8x16(B=13) SUS304 (EN X5CrNi18-10) Stainless Steel	1
28	025-000-45	Mechanical Seal W-14VCA SiC	1
29	122-131-15	O-Ring G-100 NBR	1
30	121-001-05	Packing KTV2-8 Synthetic Rubber	1
31	029-407-13	Oil Casing KTV2-8 (ADC)	1
32	140-253-10	Hex. Socket Cap Bolt M6x25 SUS304 (EN X5CrNi18-10) Stainless Steel	4
33	031-141-26	Wear Ring KTV2-8 BR+NR	1
34	122-441-11	V-Ring VR-14 NBR	1
35	071-292-14	Shaft Sleeve LB3-250/480 SUS304 (EN X5CrNi18-10) Stainless Steel	1
36	021-007-52	Impeller (50Hz) 50Hz Urethane Rubber	1
37	142-127-23	Plain Washer M8 SPC	1
38	142-210-11	Plain Washer d8.6xd13.4x1t SUS304 (EN X5CrNi18-10) Stainless Steel	1
39	141-030-12	Hex.Cap Nut M8 SUS304 (EN X5CrNi18-10) Stainless Steel	1
40	020-881-34	Pump Casing (New) KTV2-8 BR+NR	1
41	127-251-17	Fixing Plate (New) KTV2-8 SPCC	1
42	023-439-16	Strainer Stand KTV2-8 SPCC	1
43	142-127-23	Plain Washer M8 SPC	4
44	140-064-12	Hex.Bolt M8x70 SUS304 (EN X5CrNi18-10) Stainless Steel	4
	173-490-13	Packing & O-Ring Set	1
	##oilVG32	ml Turbine Oil ISO VG32	150

Exploded View KTV2-8



KTV2-8