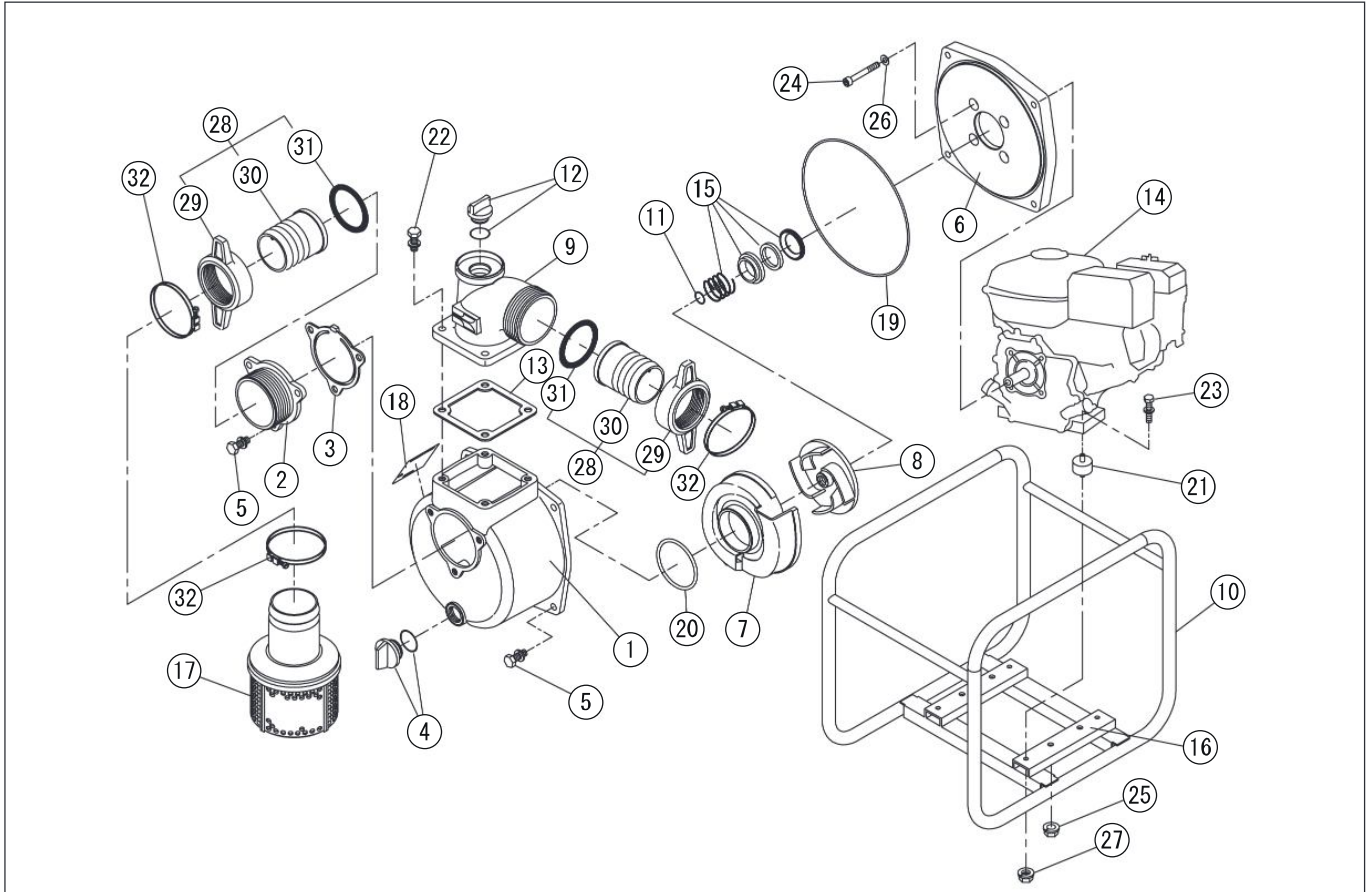


DWG No.011968707 MODEL : SE-80X(SE-80XD) FORM : SE-80X-BBN-1

No.	PARTS CODE	PARTS NAME	QTY	MATERIAL/SIZE	REMARKS
1	0120196	PUMP CASING	1	ADC	
2	0112797	SUCTION FLANGE	1	ADC	
3	0112799	CHECK VALVE	1	NBR	
4	0118078	20A PLUG SET	1		
5	743119061	HEXAGON BOLT	7	M10X25 SWRM	
6	0112796	FLANGE BRACKET	1	ADC	
7	0113176	VOLUTE CASING	1	FC	
8	0110532	IMPELLER	1	FC-20	
9	0110570	DELIVERY FLANGE	1	ADC	
10	0118366	BASE SET	1		
11	0110491	IMPELLER ADJUSTING WASHER	3	BSP	
12	0118079	25A PLUG SET	1		
13	0110584	DELIVERY FLANGE PACKING	1	CR	
14	0115161	ENGINE (DIESEL)	1	ROBIN DY232DD1610	
15	0110664	MECHANICAL SEAL	1	φ 20	
16	0113365	ENGINE BASE	2	T4.5X46X20X20X235	
17	0118195	STRAINER SET	1	PP	
18	0114785	NAME PLATE	1		
19	0115015	O-RING	1	1517-46.5 NBR	
20	0113989	O-RING	1	P74 NBR	
21	0112858	CUSHION RUBBER	4	ME-35 40°	
22	743119063	HEXAGON BOLT	4	M10X30 SWRM	
23	743119069	HEXAGON BOLT	4	M10X50 SWRM	
24	734532076	HEXAGON SOCKET BOLT	4	M8X60 SWRM	
25	827419010	HEXAGON NUT	4	M10 SWRM	
26	854255008	SEAL WASHER	4	φ 8	
27	842319008	SPRING NUT	8	M8 SWRM	
28	0117028	COUPLING SET	2		
29	0114375	COUPLING	2	ABS	
30	0110301	HOSE NIPPLE	2	ABS	

◆ Bare engine can not be supplied



DWG No.011968707 MODEL : SE-80X(SE-80XD) FORM : SE-80X-BBN-1

No.	PARTS CODE	PARTS NAME	QTY	MATERIAL/SIZE	REMARKS
31	0114378	COUPLING PACKING	2	NBR.HS65±5	
32	940019090	HOSE BAND	3	φ 90	
	0113398	PACKING CASE	1		