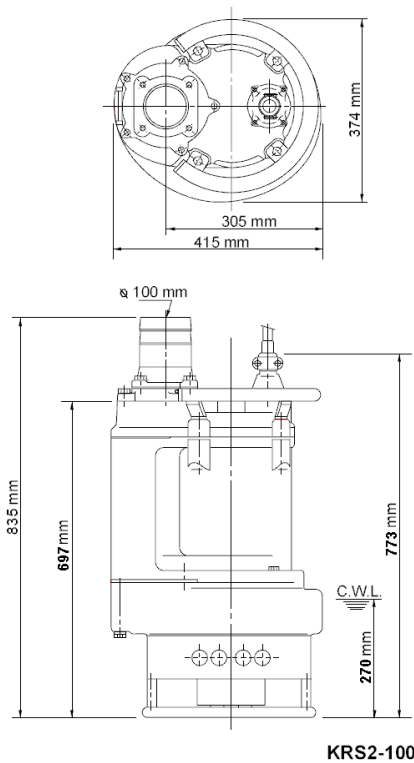
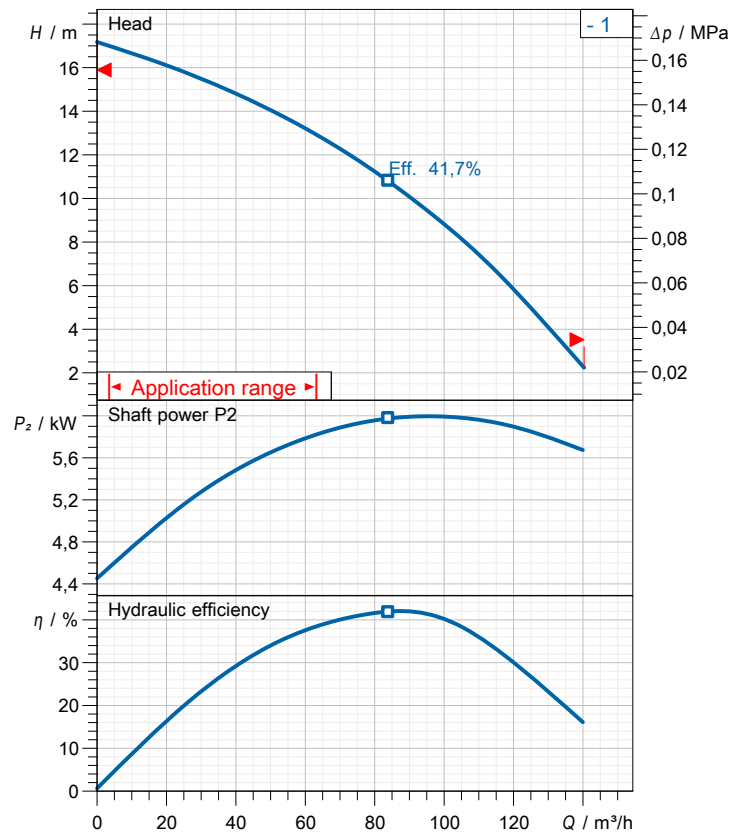


Data sheet KRS2-100



CWL: Continuous running water level



Specification

Elektrische Tauchpumpe mit Rührwerk
 Degree of protection IP 68
 Pressure resistance max. 15 m
 Type of impeller Open
 Max. solid handling 30 mm
 Suitable for:
 sludge, slurry, liquids containing

Electric motor

Dry-type submersible induction motor
 Insulation class B 4Poles 1440 1/min
 Starting mode Direct starting
 Rated voltage 400 V 50 Hz 3~
 Power uptake 7,50 kW
 Rated power 6,00 kW
 Rated current 13 A
 Start current 93,0 A

Cable

20m NSSHÖU 4Cx2,5mm²

Motor Protection

Circle thermal protector
 (snap-action bi-metal device)

Shaft seal

Double inside mechanical seal in oil bath
 additional lubrication by oil lifting device
 Primary seal
 Silicon carbide on silicon carbide
 Secondary seal
 Silicon carbide on silicon carbide

Bearings

Shielded ball bearings, maintenance-free

Materials

Impeller	Chromium iron casting
Agitator	Chromium iron casting
Pump casing	FC200 (EN-GJL-200)
Suction cover	FC200 (EN-GJL-200)
Motor Frame	FC150 (EN-GJL-150)
Shaft	SUS420J2 (EN-X30Cr13)

Discharge size

4" (100mm) hose coupling

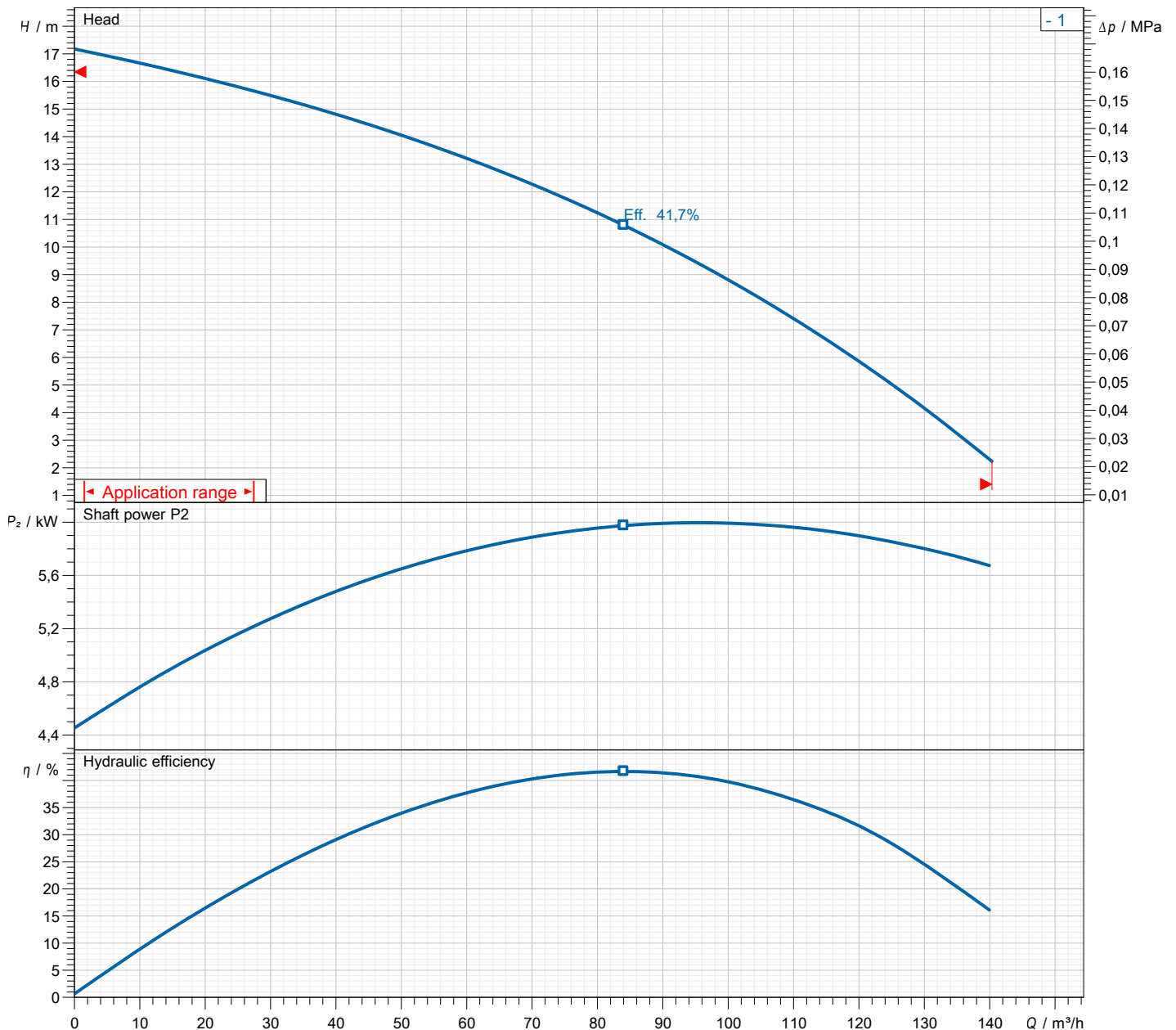
Weight

145 kg (dry weight of the pump only without cable)

Performance curve

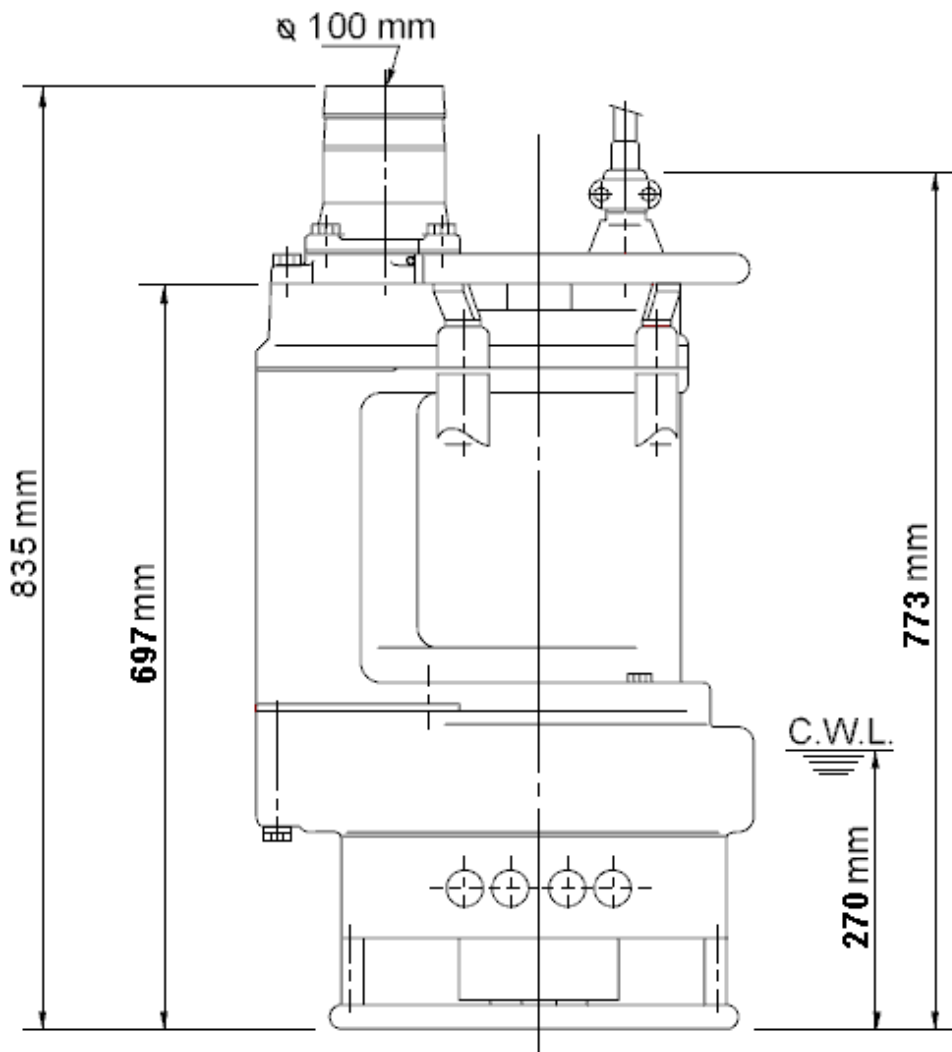
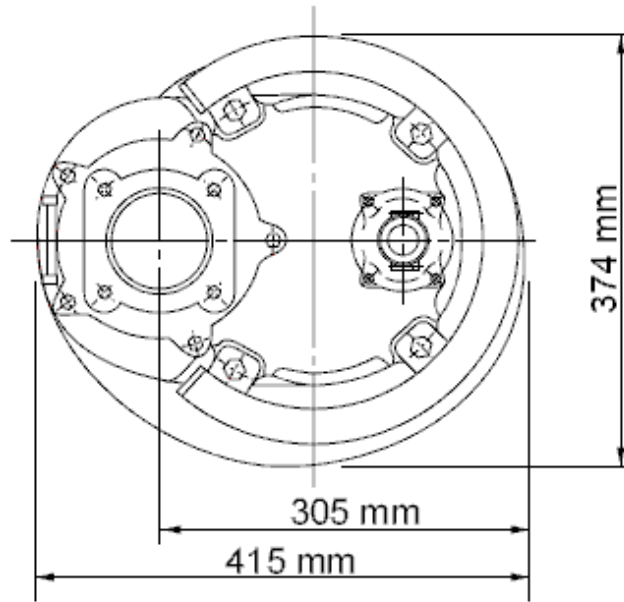
KRS2-100

Discharge port	4"
FördH	17,2 m
Flow	140,3 m³/h
Rated power	6,00 kW
Power input	7,50 kW
Phases	3~
Voltages	400 V
Frequency	50 Hz
Rated current	13 A
Starting current	92,95 A
Number of poles	4
Speed	1440 1/min
Starting mode	Direct starting
Insulation class	B



Dimensions

KRS2-100



KRS2-100

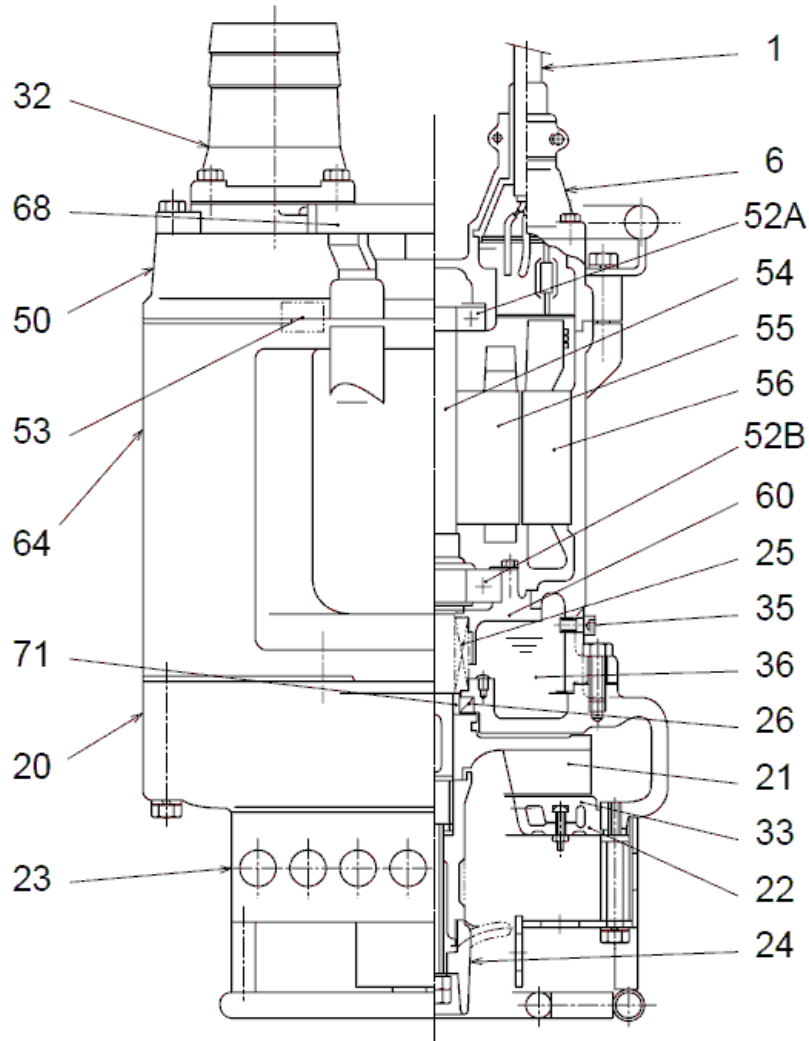
CWL: Continuous running water level
LWL: Lowest running water level

 **TSURUMI PUMP**

Tsurumi Europe GmbH
11.06.2018 V.20 / 1.11.2017

Wahlerstr. 10 * 40472 Düsseldorf * Germany
Tel.: +49-211-4179373 sales@tsurumi.eu
Fax: +49-211-417937-480 www.tsurumi.eu

Sectional drawing KRS2-100



KRS2-100

No.	Description	Remark	No.	Description	Remark
1	Cable	20m NSSHÔU	53	Motor Protector 380/400/415V-50Hz.KA314-HRXL00 (H.C)	
6	Stuffing box	FC200 (EN-GJL-200)	54	Shaft	SUS420J2 (EN-X30Cr13)
20	Pump casing	FC200 (EN-GJL-200)	55	Rotor	.
21	Impeller	Chromium iron casting	56	Stator	.
22	Suction cover	FC200 (EN-GJL-200)	60	Bearing Housing	FC150 (EN-GJL-150)
23	Strainer	Steel plate / steel pipe	64	Motor Frame	FC150 (EN-GJL-150)
24	Agitator	Chromium iron casting	68	Handle	electroplated steel pipe
25	Mechanical seal	H-35	71	Shaft protection sleeve	SUS403 (EN-X6Cr13)
26	Oil seal	DD-406211			
32	Discharge coupling	FC200 (EN-GJL-200)			
33	Suction cover	Chromium iron casting			
35	Oil screw	SUS304 (EN-X5CrNi18-10)			
36	Lubricant	Turbine oil (ISO VG32)			
50	Main cover	FC150 (EN-GJL-150)			
52A	Upper bearing	6306ZZC3			
52B	Lower bearing	6309ZZC3			