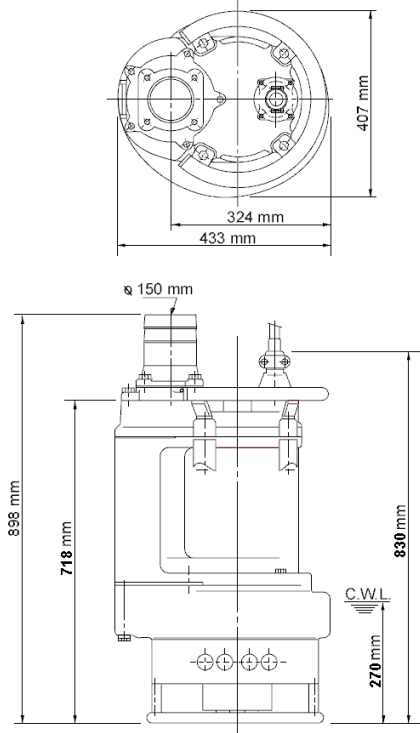
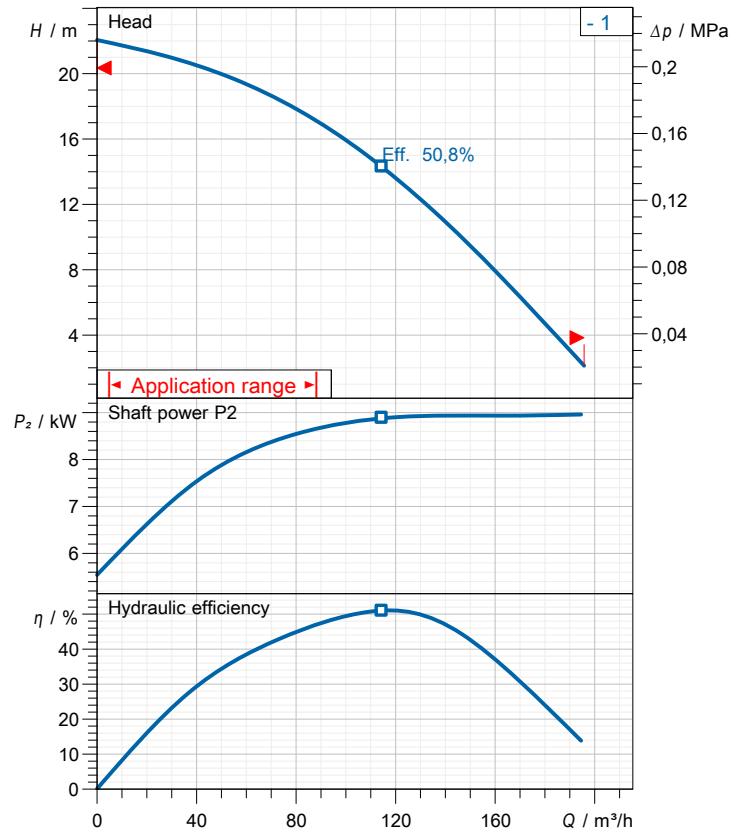


# Data sheet KRS2-150



KRS2-150

CWL: Continuous running water level



## Specification

Elektrische Tauchpumpe mit Rührwerk

Degree of protection	IP 68
Pressure resistance	max. 15 m
Type of impeller	Open
Max. solid handling	30 mm
Suitable for:	sludge, slurry, liquids containing

## Electric motor

Dry-type submersible induction motor

Insulation class	B	4 Poles	1450 1/min
Starting mode	Direct starting		
Rated voltage	400 V	50 Hz	3~
Power uptake	10,80 kW		
Rated power	9,00 kW		
Rated current	18,5 A		
Start current	155,0 A		

## Cable

20m NSSHÖU 4Cx4mm<sup>2</sup>

## Motor Protection

Circle thermal protector  
(snap-action bi-metal device)

## Shaft seal

Double inside mechanical seal in oil bath  
additional lubrication by oil lifting device

Primary seal

Silicon carbide on silicon carbide

Secondary seal

Silicon carbide on silicon carbide

## Bearings

Shielded ball bearings, maintenance-free

## Materials

Impeller	Chromium iron casting
Agitator	Chromium iron casting
Pump casing	FC200 (EN-GJL-200)
Suction cover	FC200 (EN-GJL-200)
Motor Frame	FC150 (EN-GJL-150)
Shaft	SUS420J2 (EN-X30Cr13)

## Discharge size

6" (150mm) hose coupling

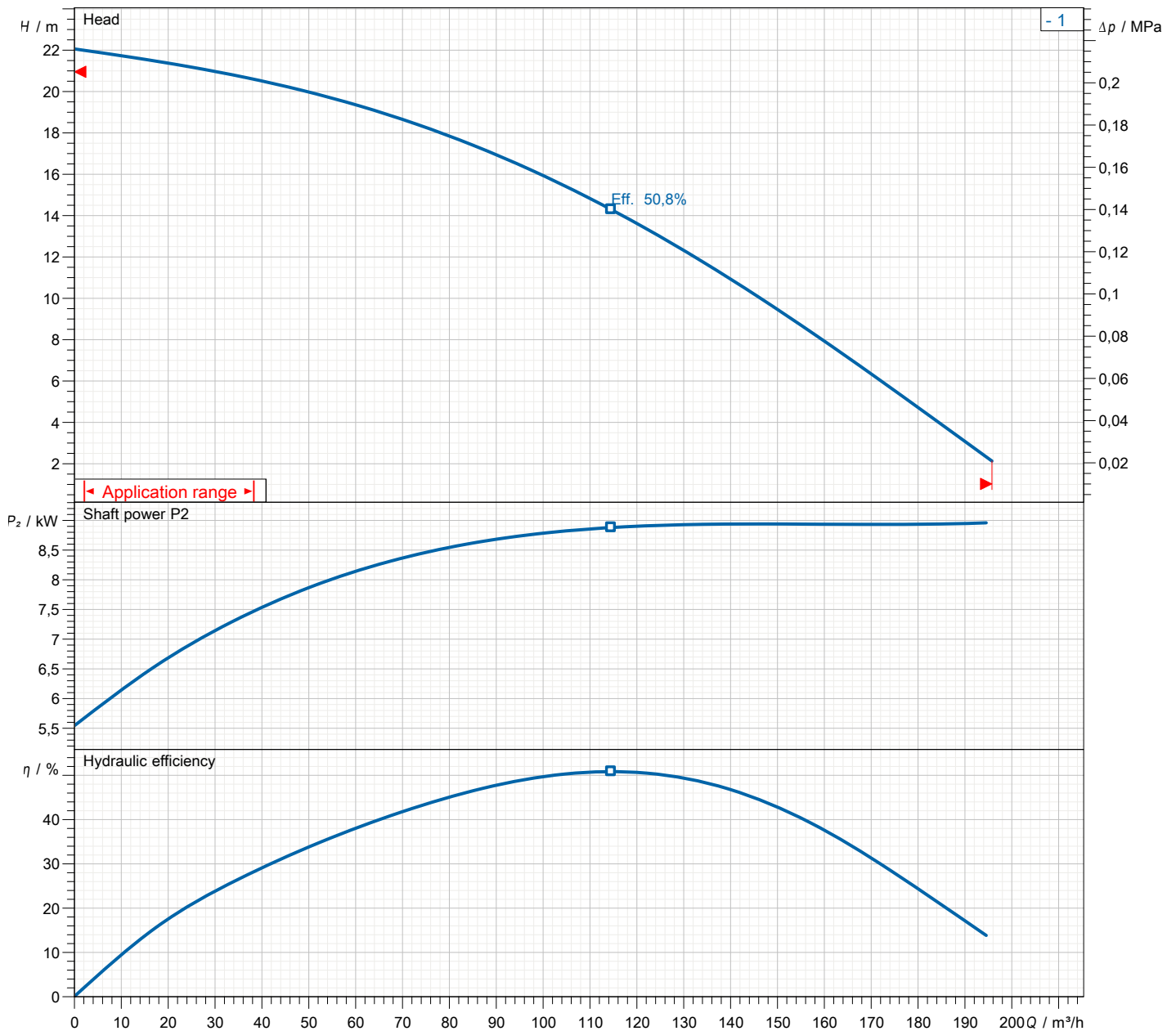
## Weight

170 kg (dry weight of the pump only without cable)

# Performance curve

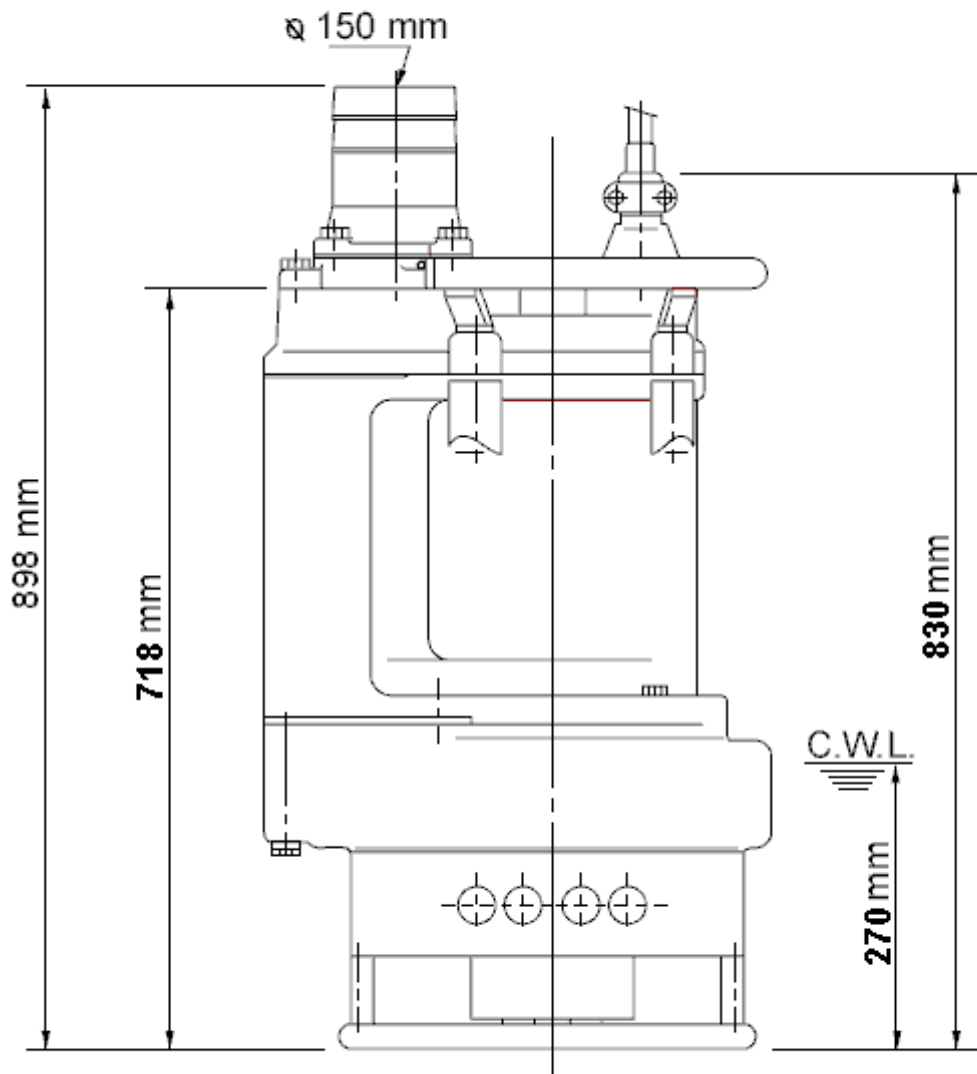
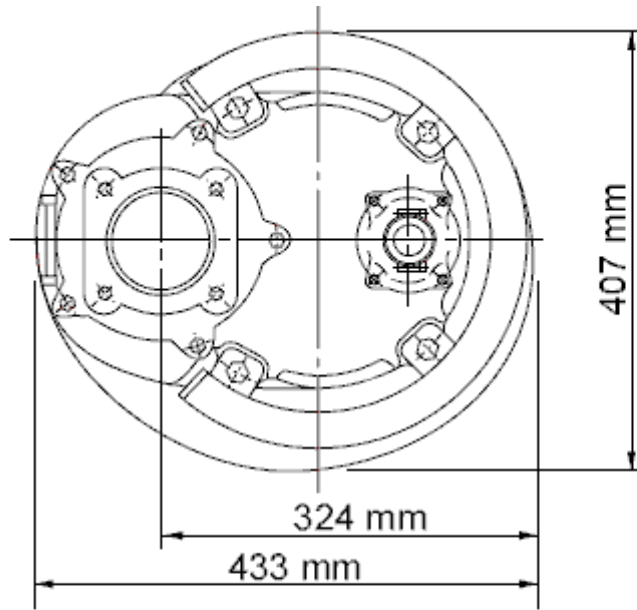
## KRS2-150

Discharge port	6"
FördH	22,1 m
Flow	195,8 m³/h
Rated power	9,00 kW
Power input	10,80 kW
Phases	3~
Voltages	400 V
Frequency	50 Hz
Rated current	18,5 A
Starting current	155,03 A
Number of poles	4
Speed	1450 1/min
Starting mode	Direct starting
Insulation class	B



# Dimensions

## KRS2-150



**KRS2-150**

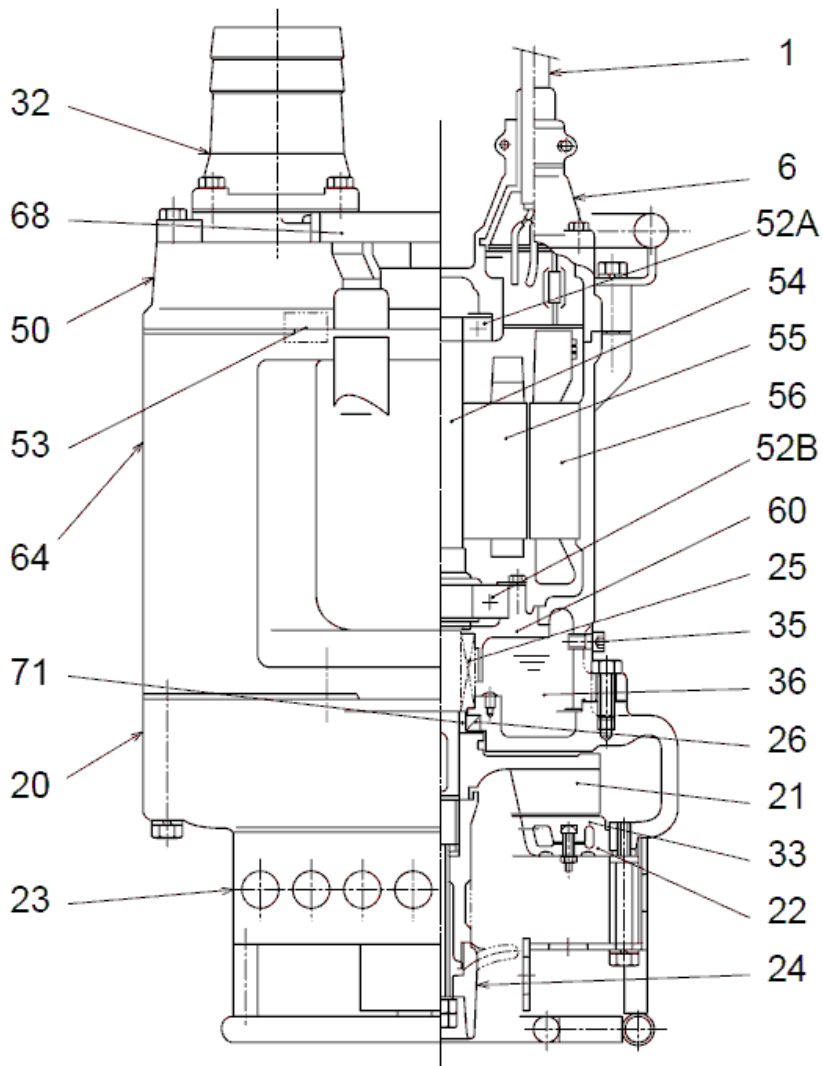
CWL: Continuous running water level  
LWL: Lowest running water level

 **TSURUMI PUMP**

Tsurumi Europe GmbH  
11.06.2018 V.20 / 1.11.2017

Wahlerstr. 10 \* 40472 Düsseldorf \* Germany  
Tel.: +49-211-4179373 sales@tsurumi.eu  
Fax: +49-211-417937-480 www.tsurumi.eu

# Sectional drawing KRS2-150



**KRS2-150**

No.	Description	Remark	No.	Description	Remark
1	Cable	20m NSSHÔU	53	Motor Protector 380/400/415V-50Hz.KA314-HRXL00 (H.C)	
6	Stuffing box	FC200 (EN-GJL-200)	54	Shaft	SUS420J2 (EN-X30Cr13)
20	Pump casing	FC200 (EN-GJL-200)	55	Rotor	.
21	Impeller	Chromium iron casting	56	Stator	.
22	Suction cover	FC200 (EN-GJL-200)	60	Bearing Housing	FC150 (EN-GJL-150)
23	Strainer	Steel plate / steel pipe	64	Motor Frame	FC150 (EN-GJL-150)
24	Agitator	Chromium iron casting	68	Handle	electroplated steel pipe
25	Mechanical seal	H-35	71	Shaft protection sleeve	SUS403 (EN-X6Cr13)
26	Oil seal	DD-406211			
32	Discharge coupling	FC200 (EN-GJL-200)			
33	Suction cover	Chromium iron casting			
35	Oil screw	SUS304 (EN-X5CrNi18-10)			
36	Lubricant	Turbine oil (ISO VG32)			
50	Main cover	FC150 (EN-GJL-150)			
52A	Upper bearing	6307ZZC3			
52B	Lower bearing	6310ZZC3			